



DEVELOPMENT APPLICATION

PDPLANPMTD-2026/060692

PROPOSAL: Dwelling

LOCATION: 23 Pyrmont Road, Rokeby

RELEVANT PLANNING SCHEME: Tasmanian Planning Scheme - Clarence

ADVERTISING EXPIRY DATE: 16/06/2026 00:00:00

The relevant plans and documents can be inspected at the Council offices, 38 Bligh Street, Rosny Park, during normal office hours until 16/06/2026 00:00:00. In addition to legislative requirements, plans and documents can also be viewed at www.ccc.tas.gov.au during these times.

Any person may make representations about the application to the Chief Executive Officer, by writing to PO Box 96, Rosny Park, 7018 or by electronic mail to clarence@ccc.tas.gov.au. Representations must be received by Council on or before 16/06/2026 00:00:00.

To enable Council to contact you if necessary, would you please also include a day time contact number in any correspondence you may forward.

Any personal information submitted is covered by Council's privacy policy, available at www.ccc.tas.gov.au or at the Council offices.

Application for Development / Use or Subdivision

Use this form to obtain planning approval for developing or using land, including subdividing it into smaller lots or lot consolidation.

Proposal: **Construction of a single dwelling**

Location: **Lot 31 Tasman Rise Estate ROKEBY**

Personal Information Removed

Is the property on the Tasmanian Heritage Register? Yes No

If yes, we recommend you discuss your proposal with Heritage Tasmania prior to lodgement as exemptions may apply which may save you time on your proposal.

If you had pre-application discussions with City of Clarence, please provide planner's name:

N/A

Current use of site: **Vacant Land**

Does the proposal involve land administered or owned by the Crown or Council? Yes No

Declaration

- I have read the Certificate of Title and Schedule of Easements for the land and am satisfied that this application is not prevented by any restrictions, easements or covenants.
- I authorise the provision of a copy of any documents relating to this application to any person for the purposes of assessment or public consultation. I agree to arrange for the permission of the copyright owner of any part of this application to be obtained. I have arranged permission for Council's representatives to enter the land to assess this application
- I declare that, in accordance with Section 52 of the Land Use Planning and Approvals Act 1993, that I have notified the owner of the intention to make this application. Where the subject property is owned or controlled by Council or the Crown, their signed consent is attached.
- I declare that the information in this declaration is true and correct.

Acknowledgement

- I acknowledge that the documentation submitted in support of my application will become a public record held by Council and may be reproduced by Council in both electronic and hard copy format in order to facilitate the assessment process; for display purposes during public consultation; and to fulfil its statutory obligations. I further acknowledge that following

Personal Information Removed

Please refer to the development/use and subdivision checklist on the following pages to determine what documentation must be submitted with your application.



Development/use or subdivision checklist

Mandatory Documents

This information is required for the application to be valid. We are unable to proceed with an application without these documents.

- Details of the location of the proposed use or development.
- A copy of the current Certificate of Title, Sealed Plan, Plan or Diagram and Schedule of Easements and other restrictions for each parcel of land on which the use or development is proposed.
- Full description of the proposed use or development.
- Description of the proposed operation. May include where appropriate: staff/student/customer numbers; operating hours; truck movements; and loading/unloading requirements; waste generation and disposal; equipment used; pollution, including noise, fumes, smoke or vibration and mitigation/management measures.
- Declaration the owner has been notified if the applicant is not the owner.
- Crown or Council consent (if publically-owned land).
- Any reports, plans or other information required by the relevant zone or code.
- Fees prescribed by the City of Clarence.

Application fees (please phone 03 6217 9550 to determine what fees apply). An invoice will be emailed upon lodgement.

Additional Documents

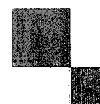
In addition to the mandatory information required above, Council may, to enable it to consider an application, request further information it considers necessary to ensure that the proposed use or development will comply with any relevant standards and purpose statements in the zone, codes or specific area plan, applicable to the use or development.

- Site analysis and site plan, including where relevant:
 - Existing and proposed use(s) on site.
 - Boundaries and dimensions of the site.
 - Topography, including contours showing AHD levels and major site features.
 - Natural drainage lines, watercourses and wetlands on or adjacent to the site.
 - Soil type.
 - Vegetation types and distribution, and trees and vegetation to be removed.
-



- Location and capacity of any existing services or easements on/to the site.
 - Existing pedestrian and vehicle access to the site.
 - Location of existing and proposed buildings on the site.
 - Location of existing adjoining properties, adjacent buildings and their uses.
 - Any natural hazards that may affect use or development on the site.
 - Proposed roads, driveways, car parking areas and footpaths within the site.
 - Any proposed open space, communal space, or facilities on the site.
 - Main utility service connection points and easements.
 - Proposed subdivision lot boundaries.
- Where it is proposed to erect buildings, detailed plans with dimensions at a scale of 1:100 or 1:200 showing:
- Internal layout of each building on the site.
 - Private open space for each dwelling.
 - External storage spaces.
 - Car parking space location and layout.
 - Major elevations of every building to be erected.
 - Shadow diagrams of the proposed buildings and adjacent structures demonstrating the extent of shading of adjacent private open spaces and external windows of buildings on adjacent sites.
 - Relationship of the elevations to natural ground level, showing any proposed cut or fill.
 - Materials and colours to be used on rooves and external walls.
- Where it is proposed to erect buildings, a plan of the proposed landscaping showing:
- Planting concepts.
 - Paving materials and drainage treatments and lighting for vehicle areas and footpaths.
 - Plantings proposed for screening from adjacent sites or public places.
- Any additional reports, plans or other information required by the relevant zone or code.

This list is not comprehensive for all possible situations. If you require further information about what may be required as part of your application documentation, please contact City of Clarence Planning team on (03) 6217 9550.



SEARCH OF TORRENS TITLE

VOLUME 189872	FOLIO 31
EDITION 1	DATE OF ISSUE 01-Apr-2026

SEARCH DATE : 15-Apr-2026

SEARCH TIME : 03.36 pm

DESCRIPTION OF LAND

City of CLARENCE
 Lot 31 on Sealed Plan 189872
 Derivation : Part of Lot 37617 (56.81ha) Gtd. to The
 Director-General of Housing & Construction
 Prior CT 164406/3

SCHEDULE 1

M926006 TRANSFER to ORIGINAL INSIGHT PTY LTD Registered
 19-Dec-2021 at 12.01 pm

SCHEDULE 2

Reservations and conditions in the Crown Grant if any
 SP189872 EASEMENTS in Schedule of Easements
 SP189872 COVENANTS in Schedule of Easements
 SP189872 FENCING COVENANT in Schedule of Easements
 SP142549 COVENANTS in Schedule of Easements
 SP142549 FENCING COVENANT in Schedule of Easements
 SP142549 WATER SUPPLY RESTRICTION
 SP142549 SEWERAGE AND/OR DRAINAGE RESTRICTION
 N194698 MORTGAGE to Manda Capital Holdings Pty Ltd
 Registered 21-June-2024 at 12.01 pm
 N280782 MORTGAGE to RCCC Civil Contracting Pty Ltd
 Registered 11-Oct-2025 at noon
 E380291 AGREEMENT pursuant to Section 78 of the Land Use
 Planning and Approvals Act 1993 Registered
 01-Apr-2026 at noon

UNREGISTERED DEALINGS AND NOTATIONS

N104005 CAVEAT by Manda Capital Holdings Pty Ltd Lodged by
 PAGE SEAGER [Merged] on 16-Dec-2025 BP: N104005

OWNER:
ORIGINAL INSIGHT PTY LTD

FOLIO REFERENCE:
164406/3

GRANTEE:
Part of Lot 37617 (56.81ha) and Part of Lot 37843, (18.21ha) Gtd to The Director-General of Housing & Construction

NEW PLAN OF SURVEY

BY SURVEYOR:
N. J. SWARDS of
LEARY COX & CRIPPS SURVEYORS
Unit G04 40 Mollie Street, HOBART TAS 7000
P 03 6118 2030
E admin@lccsurvey.com

LOCATION:
City of CLARENCE

SCALE 1: 2500

LENGTHS IN METRES

Registered Number
SP 189872

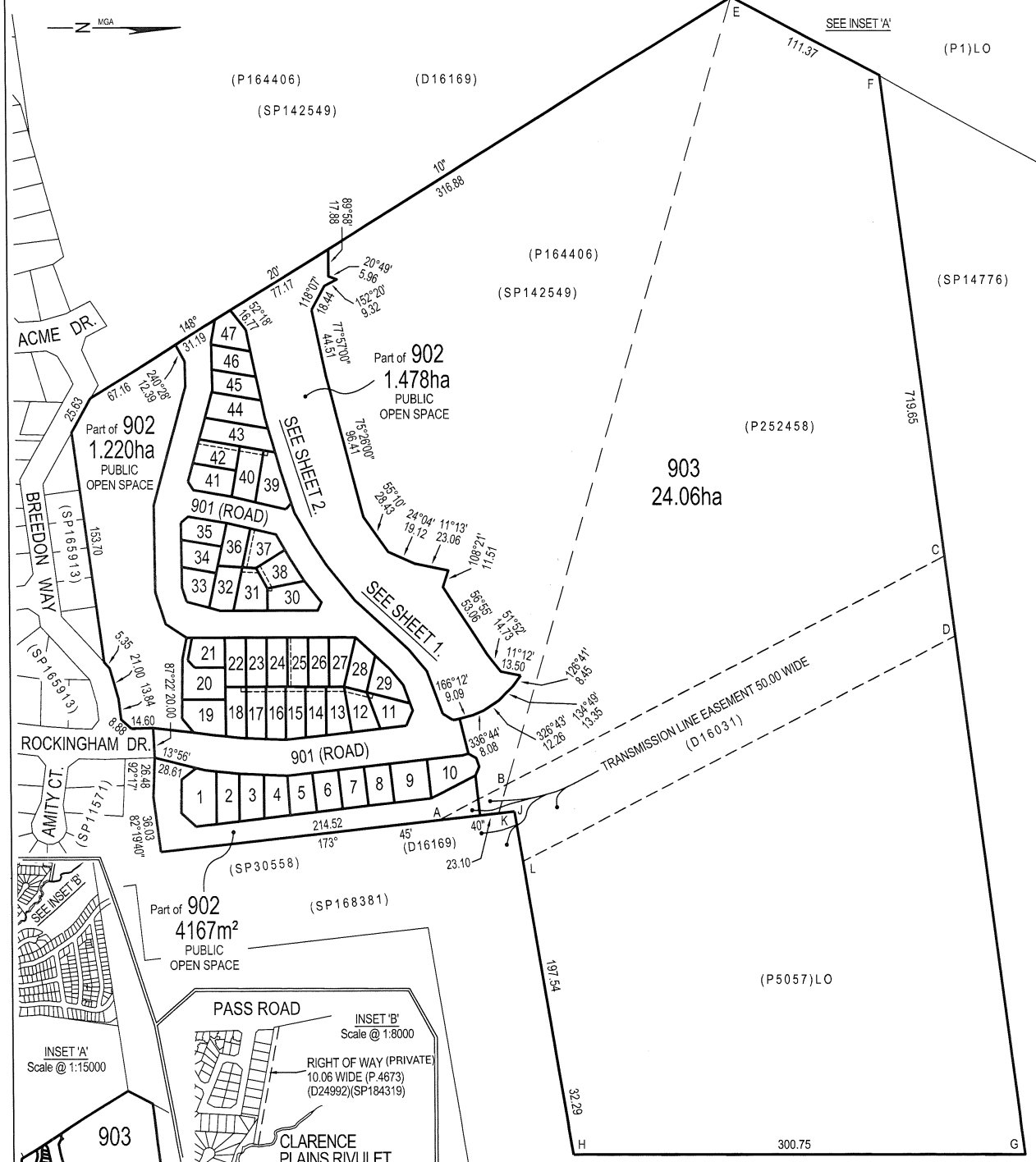
APPROVED EFFECTIVE FROM - 1 APR 2026

N. J. Swards
Recorder of Titles

PRIORITY FINAL PLAN LOTS 902 & 903 HAVE BEEN COMPILED FROM SP164405, P164406 AND THIS SURVEY

INDEX PLAN

ALL EXISTING SURVEY NUMBERS TO BE CROSS REFERENCED ON THIS PLAN



N. J. Swards
Registered Land Surveyor

20/3/26
Date

SEE PLAN RELATED DOCS

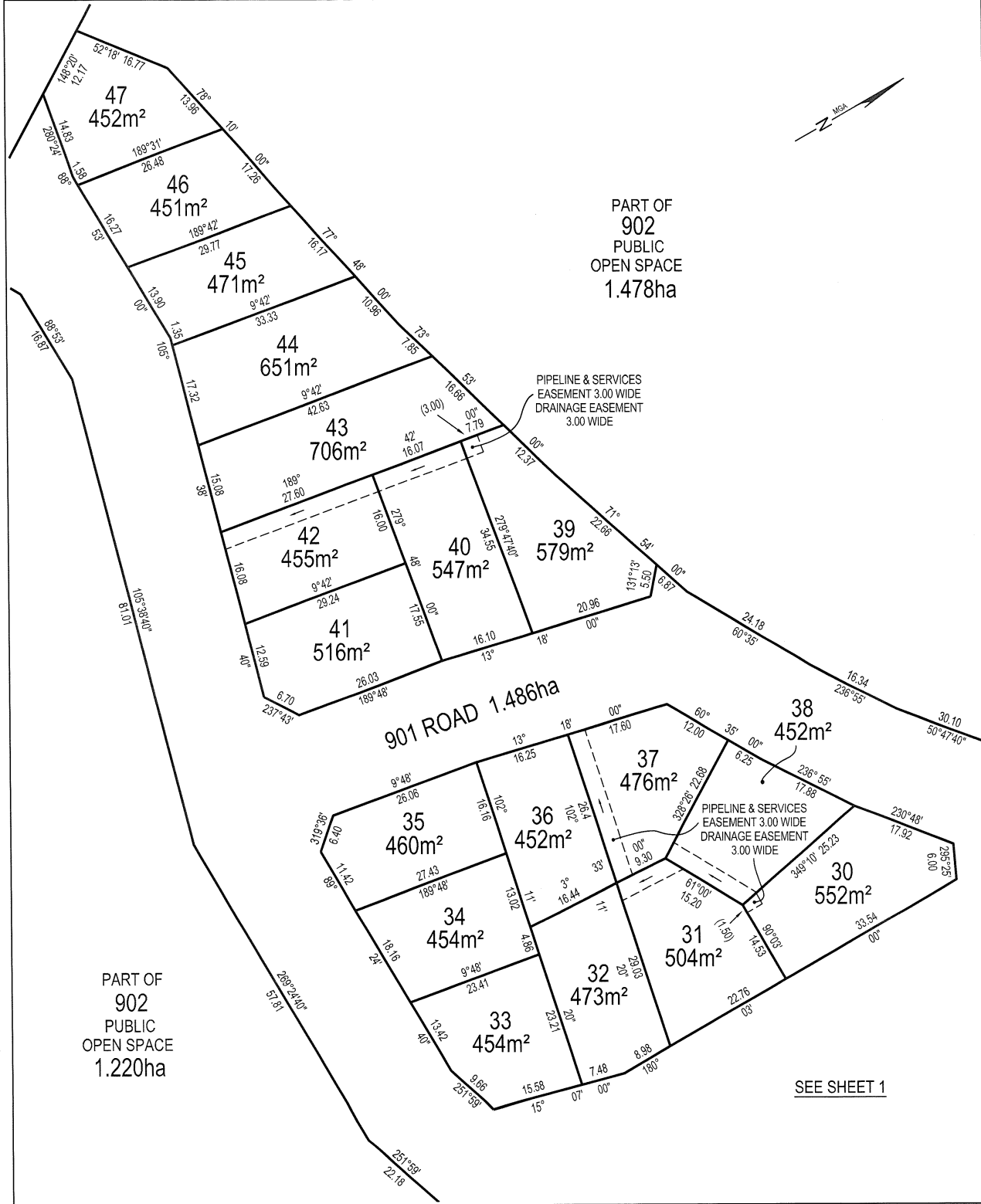
.....
Council Delegate

.....
Date

<p>NEW</p> <p>PLAN OF SURVEY</p> <p>ANNEXURE SHEET</p> <p>SHEET 1 OF 2 SHEETS</p>	<p>OWNER: ORIGINAL INSIGHT PTY LTD</p> <p>FOLIO REFERENCE: 164406/3</p> <p>SCALE 1:600</p>	<p>Registered Number</p> <p>SP 189872</p>
	<p>SIGNED FOR IDENTIFICATION PURPOSES</p> <p>SEE PLAN RELATED DOCS</p> <p>..... Council Delegate</p> <p>..... Date</p>	<p>THIS ANNEXURE SHEET FORMS PART OF THE ATTACHED INDEX PLAN.</p> <p><i>N. Edwards</i> Registered Land Surveyor</p> <p>20/3/26 Date</p>



<p>NEW PLAN OF SURVEY ANNEXURE SHEET SHEET 2 OF 2 SHEETS</p>	<p>OWNER: ORIGINAL INSIGHT PTY LTD</p> <p>FOLIO REFERENCE: 164406/3 SCALE 1:600</p> <p>LENGTH IN METRES</p>	<p>Registered Number SP 189872</p>
<p>SIGNED FOR IDENTIFICATION PURPOSES SEE PLAN RELATED DOCS</p> <p>..... Council Delegate Date</p>	<p>THIS ANNEXURE SHEET FORMS PART OF THE ATTACHED INDEX PLAN.</p> <p><i>N. Wood</i> 20/3/26 Registered Land Surveyor Date</p>	<p>APPROVED EFFECTIVE FROM -1 APR 2026</p> <p><i>Renn</i> Recorder of Titles</p>



SCHEDULE OF EASEMENTS	Registered Number
NOTE: THE SCHEDULE MUST BE SIGNED BY THE OWNERS & MORTGAGEES OF THE LAND AFFECTED. SIGNATURES MUST BE ATTESTED.	SP 189872

PAGE 1 OF 7 PAGES

EASEMENTS AND PROFITS

Each lot on the plan is together with:-

- (1) such rights of drainage over the drainage easements shown on the plan (if any) as may be necessary to drain the stormwater and other surplus water from such lot; and
- (2) any easements or profits a prendre described hereunder.

Each lot on the plan is subject to:-

- (1) such rights of drainage over the drainage easements shown on the plan (if any) as passing through such lot as may be necessary to drain the stormwater and other surplus water from any other lot on the plan; and
- (2) any easements or profits a prendre described hereunder.

The direction of the flow of water through the drainage easements shown on the plan is indicated by arrows.

NEW EASEMENTS

Lots 11 to 18 (inclusive), 25, 30, 31, 37, 38, 39, 40 and 42 on the Plan are each SUBJECT TO a Pipeline and Services Easement (as defined herein) in gross in favour of the Tasmanian Water and Sewerage Corporation Pty Limited, its successors and assigns ("TasWater") over that part of the respective Lot marked "PIPELINE & SERVICES EASEMENT 3.00 WIDE DRAINAGE EASEMENT 3.00 WIDE" on the Plan ("the Easement Land").

Lots 11 to 18 (inclusive), 25, 30, 31, 37, 38, 39, 40 and 42 on the Plan are each SUBJECT TO a right of drainage in gross in favour of Clarence City Council over that part of the respective Lot marked "PIPELINE & SERVICES EASEMENT 3.00 WIDE DRAINAGE EASEMENT 3.00 WIDE" on the Plan.

EXISTING EASEMENTS

Each Lot on the Plan (but excluding that part of Lot 903 marked "EFGHJK") is TOGETHER WITH a right of way over the area marked "RIGHT OF WAY, 10.06 WIDE" on the Plan more fully defined in SP142549. (PRIVATE)

Lots 902 & 903 are
~~Lot 902~~ on the Plan is SUBJECT TO a Transmission Line Easement (in favour of the Hydro Electric Commission) over that part of the Lot marked "TRANSMISSION LINE EASEMENT 50.00 WIDE" on the Plan and as created by and more fully set forth in SP142549.

(USE ANNEXURE PAGES FOR CONTINUATION)

SUBDIVIDER: Original Insight Pty Ltd (ACN 168 660 786) FOLIO REF: Volume 164406 Folio 3 SOLICITOR & REFERENCE: Butler, McIntyre & Butler: 250343	PLAN SEALED BY: Clarence City Council DATE: 3 MARCH 2026 PDP PLAN PMTD - REF NO. 20211 024236 Council Delegate Peter Warnekin - ACN's HOG
NOTE: The Council Delegate must sign the Certificate for the purposes of identification.	

F:\data\affinity_docs\origipl\250343\porigipl_250343_015.docx

<p>ANNEXURE TO SCHEDULE OF EASEMENTS</p> <p>PAGE 2 OF 7 PAGES</p>	<p>Registered Number</p> <p>SP 189872</p>
<p>SUBDIVIDER: Original Insight Pty Ltd (ACN 168 660 786) FOLIO REFERENCE: Volume 164406 Folio 3</p>	

EXISTING COVENANTS

Each Lot on the Plan is burdened by the restrictive covenants created by and more fully set forth in SP142549.

FENCING COVENANT

The owner of each Lot on the Plan covenants with Original Insight Pty Ltd (ACN 168 660 786) (“the Vendor”) that the Vendor shall not be required to fence.

DEFINITIONS

“**Pipeline and Services Easement**” means:-

THE FULL RIGHT AND LIBERTY for TasWater at all times to:

- (1) enter and remain upon the Easement Land with or without employees, contractors, agents and all other persons duly authorised by it and with or without machinery, vehicles, plant and equipment;
- (2) investigate, take soil, rock and other samples, survey, open and break up and excavate the Easement Land for any purpose or activity that TasWater is authorised to do or undertake;
- (3) install, retain, operate, modify, relocate, maintain, inspect, cleanse and repair the Infrastructure;
- (4) remove and replace the Infrastructure;
- (5) run and pass sewage, water and electricity through and along the Infrastructure;
- (6) do all works reasonably required in connection with such activities or as may be authorised or required by any law:
 - (1) without doing unnecessary damage to the Easement Land; and
 - (2) leaving the Easement Land in a clean and tidy condition; and
- (7) if the Easement Land is not directly accessible from a highway, then for the purpose of undertaking any of the preceding activities TasWater may with or without employees, contractors, agents and all other persons authorised by it, and with or without machinery, vehicles, plant and equipment enter the Lots from the highway at any then existing vehicle entry and cross the Lots to the Easement Land; and



NOTE: Every annexed page must be signed by the parties to the dealing or where the party is a corporate body be signed by the persons who have attested the affixing of the seal of that body to the dealing.

F:\data\affinity_docs\origipl\250343\porigipl_250343_015.docx

<p>ANNEXURE TO SCHEDULE OF EASEMENTS</p> <p>PAGE 3 OF 7 PAGES</p>	<p>Registered Number</p> <p>SP 189872</p>
<p>SUBDIVIDER: Original Insight Pty Ltd (ACN 168 660 786) FOLIO REFERENCE: Volume 164406 Folio 3</p>	

- (8) use the Easement Land as a right of carriageway for the purpose of undertaking any of the preceding purposes on other land, TasWater reinstating any damage that it causes in doing so to any boundary fence of the Lots.

PROVIDED ALWAYS THAT:

- (1) The registered proprietors of the Lots in the folio of the Register ("the Owner") must not without the written consent of TasWater first had and obtained and only in compliance with any conditions which form the consent:
- (a) alter, excavate, plough, drill or otherwise penetrate the ground level of the Easement Land;
 - (b) install, erect or plant any building, structure, fence, pit, well, footing, pipeline, paving, tree, shrub or other object on or in the Easement Land;
 - (c) remove any thing that supports, protects or covers any Infrastructure on or in the Easement Land;
 - (d) do any thing which will or might damage or contribute to damage to any of the Infrastructure on or in the Easement Land;
 - (e) in any way prevent or interfere with the proper exercise and benefit of the Easement Land by TasWater or its employees, contractors, agents and all other persons duly authorised by it; or
 - (f) permit or allow any action which the Owner must not do or acquiesce in that action.
- (2) TasWater is not required to fence any part of the Easement Land.
- (3) The Owner may erect a fence across the Easement Land at the boundaries of the Lots.
- (4) The Owner may erect a gate across any part of the Easement Land subject to these conditions:
- (a) the Owner must provide TasWater with a key to any lock which would prevent the opening of the gate; and
 - (b) if the Owner does not provide TasWater with that key or the key provided does not fit the lock, TasWater may cut the lock from the gate.
- (5) If the Owner causes damage to any of the Infrastructure, the Owner is liable for the actual cost to TasWater of the repair of the Infrastructure damaged.



NOTE: Every annexed page must be signed by the parties to the dealing or where the party is a corporate body be signed by the persons who have attested the affixing of the seal of that body to the dealing.

F:\data\affinity_docs\origip\250343\porigip\250343_015.docx

<p>ANNEXURE TO SCHEDULE OF EASEMENTS</p> <p>PAGE 4 OF 7 PAGES</p>	<p>Registered Number</p> <p>SP 189872</p>
<p>SUBDIVIDER: Original Insight Pty Ltd (ACN 168 660 786) FOLIO REFERENCE: Volume 164406 Folio 3</p>	

- (6) If the Owner fails to comply with any of the preceding conditions, without forfeiting any right of action, damages or otherwise against the Owner, TasWater may:
- (a) reinstate the ground level of the Easement Land; or
 - (b) remove from the Easement Land any building, structure, pit, well, footing, pipeline, paving, tree, shrub or other object; or
 - (c) replace any thing that supported, protected or covered the Infrastructure.

“Infrastructure” means infrastructure owned or for which TasWater is responsible and includes but is not limited to:

- (a) sewer pipes and water pipes and associated valves;
- (b) telemetry and monitoring devices;
- (c) inspection and access pits;
- (d) power poles and lines, electrical wires, electrical cables and other conducting media (excluding telemetry and monitoring devices);
- (e) markers or signs indicating the location of the Easement Land, the Infrastructure or any warnings or restrictions with respect to the Easement Land or the Infrastructure;
- (f) any thing reasonably required to support, protect or cover any of the Infrastructure;
- (g) any other infrastructure whether of a similar nature or not to the preceding which is reasonably required for the piping of sewage or water, or the running of electricity, through the Easement Land or monitoring or managing that activity; and
- (h) where the context permits, any part of the Infrastructure.



NOTE: Every annexed page must be signed by the parties to the dealing or where the party is a corporate body be signed by the persons who have attested the affixing of the seal of that body to the dealing.

f:\data\affinity_docs\origipl\250343\porigipl_250343_015.docx

<p>ANNEXURE TO SCHEDULE OF EASEMENTS</p> <p>PAGE 5 OF 7 PAGES</p>	<p>Registered Number</p> <p>SP 189872</p>
<p>SUBDIVIDER: Original Insight Pty Ltd (ACN 168 660 786) FOLIO REFERENCE: Volume 164406 Folio 3</p>	

Executed by **Original Insight Pty Ltd (ACN 168 660 786)**, the Registered Proprietor of the land contained in Certificate of Title Volume 164406 Folio 3 in accordance with section 127 of the Corporations Act 2001 (Cth) by being signed by:


Seyon Won
 Sole Director and Company Secretary

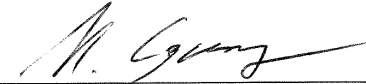
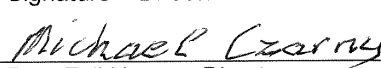

R

NOTE: Every annexed page must be signed by the parties to the dealing or where the party is a corporate body be signed by the persons who have attested the affixing of the seal of that body to the dealing.

f:\data\affinity_docs\origipl\250343\porigipl_250343_015.docx

ANNEXURE TO SCHEDULE OF EASEMENTS PAGE 6 OF 7 PAGES	Registered Number SP 189872
SUBDIVIDER: Original Insight Pty Ltd (ACN 168 660 786) FOLIO REFERENCE: Volume 164406 Folio 3	

Executed by **Manda Capital Holdings Pty Ltd (ACN 168 795 088)**, the Registered Mortgagee of the land contained in Certificate of Title Volume 164406 Folio 3 under Mortgage N194698 in accordance with section 127 of the Corporations Act 2001 (Cth) by being signed by:


 Signature – Director

 Print Full Name – Director

 Signature – Director/~~Company Secretary*~~ *30/03/26*
 Print Full Name – Director/~~Company Secretary*~~
 *Delete whichever is inapplicable *30/03/26*

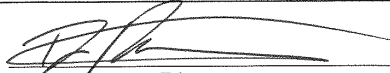
* BRADLEY JOHN WALSH
SOLICITOR FOR THE VENDOR

NOTE: Every annexed page must be signed by the parties to the dealing or where the party is a corporate body be signed by the persons who have attested the affixing of the seal of that body to the dealing.

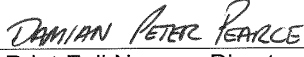
f:\data\affinity_docs\origipl\250343\porigipl_250343_015.docx

ANNEXURE TO SCHEDULE OF EASEMENTS PAGE 7 OF 7 PAGES	Registered Number SP 189872
SUBDIVIDER: Original Insight Pty Ltd (ACN 168 660 786) FOLIO REFERENCE: Volume 164406 Folio 3	


Executed by **RCCC Civil Contracting Pty Ltd (ACN 097 095 611)**, the Registered Mortgagee of the land contained in Certificate of Title Volume 164406 Folio 3 under Mortgage N280782 in accordance with section 127 of the Corporations Act 2001 (Cth) by being signed by:



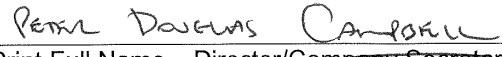
 Signature – Director



 Print Full Name – Director



 Signature – Director/~~Company Secretary*~~



 Print Full Name – Director/~~Company Secretary*~~

*Delete whichever is inapplicable

NOTE: Every annexed page must be signed by the parties to the dealing or where the party is a corporate body be signed by the persons who have attested the affixing of the seal of that body to the dealing.

F:\data\affinity_docs\origipl\250343\porigipl_250343_015.docx



GENERAL NOTES:

1. THIS PLAN HAS BEEN PREPARED BY SURVEY PLUS FROM A COMBINATION OF EXISTING RECORDS AND FIELD SURVEY FOR THE PURPOSES OF SHOWING THE PHYSICAL FEATURES OF THE LAND AND SHOULD NOT BE USED FOR ANY OTHER PURPOSE.
2. TITLE BOUNDARIES SHOWN WERE NOT VERIFIED OR MARKED BY SURVEY PLUS AT THE TIME OF THIS SURVEY.
3. SERVICES SHOWN ON THIS PLAN WERE LOCATED WHERE POSSIBLE BY FIELD SURVEY. THEY ARE NOT A COMPLETE PICTURE OF SERVICES ON SITE. ALL SERVICE LOCATIONS ARE TO BE VERIFIED BEFORE COMMENCEMENT OF ANY WORK ON SITE, IN PARTICULAR THOSE SERVICES NOT PREVIOUSLY LOCATED THROUGH FIELD SURVEY.
4. SURVEY PLUS CAN NOT ACCEPT LIABILITY WHATSOEVER FOR LOSS OR DAMAGE CAUSED TO ANY UNDERGROUND SERVICE WHETHER SHOWN BY OUR SURVEY OR NOT.
5. THIS NOTE IS AN INTEGRAL PART OF THIS PLAN/DATA. REPRODUCTION OF THIS PLAN OR ANY PART OF IT WITHOUT THIS NOTE BEING INCLUDED IN FULL WILL RENDER THE INFORMATION SHOWN ON SUCH A REPRODUCTION INVALID AND NOT SUITABLE FOR USE WITHOUT PRIOR AUTHORITY OF SURVEY PLUS.
6. HORIZONTAL DATUM IS MGA (GDA94).
7. VERTICAL DATUM IS AHD.
8. CONTOUR INTERVAL IS 0.2 METRE, INDEX IS 1.0 METRE.
9. SURVEY BY ROBOTIC TOTAL STATION AND GPS.
10. DUE TO THE AGE OF TITLE SURVEY IF ANY CONSTRUCTION WORKS ARE TO BE UNDERTAKEN ON OR NEAR THE TITLE BOUNDARY OR PRESCRIBED SETBACKS A RE-MARK SURVEY BY A REGISTERED LAND SURVEYOR WILL BE REQUIRED.
11. IMPORTED DATA SHOWN ON THIS PLAN WAS OBTAINED FOR PUBLIC AVAILABLE DATA FROM VARIOUS GOVERNMENT AUTHORITIES. THIS INFORMATION IS PROVIDED FOR GUIDANCE ONLY. THE ACCURACY OF ANY IMPORTED DATA IS PER THE ACCURACY QUOTED BY THE SOURCE AND IS IN NO WAY GUARANTEED BY SURVEY PLUS. USERS MUST NOT RELY ON THIS DATA FOR ON-GROUND LOCATION OF BOUNDARIES AND/OR SERVICES.

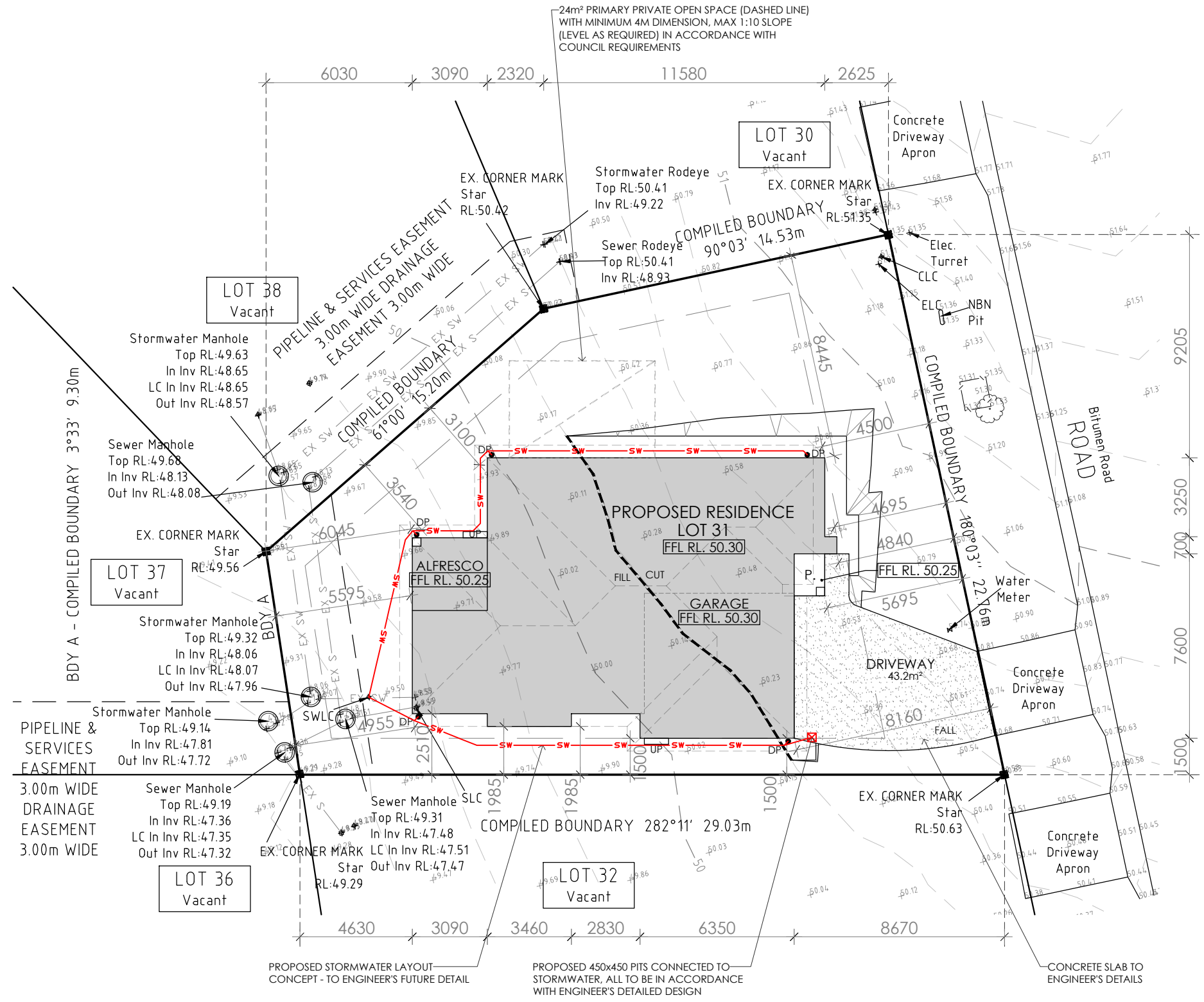
- LIST DATA IMPORT**
- TasWater-SewerLateralLine
 - TasWater-SewerMain
 - TasWater-SewerMaintenanceHole
 - TasWater-SewerPressurisedMain
 - TasWater-WaterHydrant
 - TasWater-WaterLateralLine
 - TasWater-WaterMain

12. BOUNDARIES ARE COMPILED ONLY FROM SP188818 AND RELEVANT SURVEY INFORMATION OBTAINED FROM LAND TITLES OFFICE AND ARE APPROXIMATE AND SUBJECT TO SURVEY.

14. 3D DATA TURNED OFF IN LAYER CONTROL.
- 3D TIN
 - MAJOR CONTOUR 3D
 - MINOR CONTOUR 3D

NOTE: ALL PROPOSED STORMWATER TO BE DISCHARGED TO EXISTING INFRASTRUCTURE

EROSION AND SEDIMENT CONTROL MEASURES ARE TO BE IMPLEMENTED ON THE SITE IN ACCORDANCE WITH COUNCIL REQUIREMENTS



NOTES

SITE PREPARATION
THE SITE IS TO BE DISTURBED AS MINIMALLY AS POSSIBLE TO THE EXTENT REQUIRED TO CARRY OUT THE BUILDING WORKS.
EARTHWORKS SHALL BE CARRIED OUT IN ACCORDANCE WITH NCC PART 3.2.
UN-RETAINED EMBANKMENT GRADIENTS SHALL BE IN ACCORDANCE WITH NCC TABLE 3.2.1.
DRAINAGE SHALL BE IN ACCORDANCE WITH NCC PART 3.3.2.
THE BUILDER AND SUBCONTRACTOR SHALL ENSURE THAT ALL STORMWATER DRAINS, SEWER PIPES AND THE LIKE ARE LOCATED AT A SUFFICIENT DISTANCE FROM ANY BUILDINGS FOOTING AND/OR SLAB EDGE BEAMS SO AS TO PREVENT GENERAL MOISTURE PENETRATION, DAMPNES, WEAKENING & UNDERMINING OF ANY BUILDING AND ITS FOOTING SYSTEM.
LOCATION OF ALL EXISTING SERVICES TO BE CONFIRMED ON SITE PRIOR TO CONSTRUCTION.

ATTENTION OF OWNER
THE OWNERS ATTENTION IS DRAWN TO THE FACT THAT FOUNDATIONS AND ASSOCIATED DRAINAGE FOR ALL SITES REQUIRES CONTINUING MAINTENANCE TO ASSIST FOOTING PERFORMANCE. ADVISE FOR FOUNDATION MAINTENANCE IS CONTAINED IN THE CSIRO BUILDING TECHNOLOGY FILE 18 AND IT IS THE OWNERS RESPONSIBILITY TO MAINTAIN THE SITE IN ACCORDANCE WITH THIS DOCUMENT.

SOIL AND WATER MANAGEMENT NOTES:
DRAINAGE LINES ARE TO BE INSTALLED PRIOR TO THE PLACEMENT OF ROOF AND GUTTERING. ONCE DWELLING IS ROOFED, CONNECT IMMEDIATELY. APPLY TEMPORARY COVERING TO DISTURBED AREAS THAT WILL REMAIN EXPOSED FOR 14 DAYS OR MORE DURING CONSTRUCTION (EG. WATERPROOF BLANKET, VEGETATION OR MULCH)

PROTECT ANY NEARBY OR ON-SITE DRAINAGE PITS FROM SEDIMENT BY INSTALLING SEDIMENT TRAPS AROUND THEM.
LIMIT ENTRY/EXIT TO ONE POINT AND STABILISE. INSTALL FACILITIES TO REMOVE DIRT/ MUD FROM VEHICLE WHEELS BEFORE THEY LEAVE THE SITE.

SITE TO BE VEGETATED AND PLANTED ACCORDING TO THE HOBART REGIONAL SOIL AND WATER MANAGEMENT CODE OF PRACTICE.

BUILDER AND SUBCONTRACTORS TO VERIFY ALL DIMENSIONS AND LEVELS PRIOR TO THE COMMENCEMENT OF ANY WORK. GIVE 24 HOURS MINIMUM NOTICE WHERE AMENDMENTS ARE REQUIRED TO DRAWINGS. THESE DRAWINGS ARE TO BE READ IN CONJUNCTION WITH DOCUMENTATION LISTED ON THE COVER PAGE. DO NOT SCALE DRAWINGS. DIMENSIONS ARE TO TAKE PREFERENCE OVER SCALE. BUILDING SPECIFICATION AND ENGINEERS DRAWINGS SHALL OVERRIDE ARCHITECTURAL DRAWINGS.

-THIS DRAWING IS TO BE READ IN CONJUNCTION WITH ALL OTHER DRAWING SHEETS, CONSULTANTS DRAWINGS, DOCUMENTS, SCHEDULES AND SPECIFICATIONS (AS APPLICABLE).
-THE BUILDER AND SUBCONTRACTOR SHALL ENSURE THAT ALL STORMWATER DRAINS, SEWER PIPES AND THE LIKE ARE LOCATED AT A SUFFICIENT DISTANCE FROM ANY BUILDINGS FOOTING AND/OR SLAB EDGE BEAMS SO AS TO PREVENT GENERAL MOISTURE PENETRATION, DAMPNES, WEAKENING & UNDERMINING OF ANY BUILDING AND ITS FOOTING SYSTEM.
- LOCATION OF ALL EXISTING ONSITE SERVICES TO BE CONFIRMED ONSITE PRIOR TO CONSTRUCTION

IMPORTANT!
SITE INFORMATION AS DRAWN IS APPROXIMATE ONLY. FINAL SITE INFORMATION IS SUBJECT TO A DETAILED CONTOUR SURVEY BY LICENSED SURVEYOR.

LEGEND

- CLC = Communication Lot Connection
- ELC = Electricity Lot Connection
- ET = Electrical Turret
- FP = Fire Plug
- SV = Stop Valve
- WM = Water Meter
- SWLC = Stormwater Lot Connection
Top RL:49.55
Inv RL:48.51
- SLC = Stormwater Lot Connection
Top RL:49.55
Inv RL:48.49

GPS DATA SCALE LOCATION
JOB CONTROL POINT
POINT NO: Old Rivet in Kerb
DESCRIPTION: Old Rivet in Kerb#
GPS SCALE FACTOR = 1.000391065
E: 53601.058
N: 5251920.396
RL:45.91
EPU = 0.04±

SOIL CLASSIFICATION: --
WIND CLASSIFICATION: --

SITE COVERAGE	
SITE AREA	503.6 m ²
PROPOSED BUILDING FOOTPRINT	171.4 m ²
PROPOSED SITE COVERAGE	34.03 %

PROPOSED SITE PLAN

PRELIMINARY

© COPYRIGHT IN WHOLE OR IN PART

PROJECT NORTH	CONTRACTOR MUST VERIFY ALL DIMENSIONS AND LEVELS AT THE JOB PRIOR TO COMMENCING ANY WORK OR MAKING ANY SHOP DRAWINGS.	REV:	DESCRIPTION:	BY:	DATE:
02	DO NOT SCALE DRAWINGS. ALWAYS USE WRITTEN DIMENSIONS.	SK	ISSUED FOR CLIENT REVIEW	HT	05/2/26
		A	ISSUED FOR CLIENT REVIEW	AN	19/3/26
		B	EXTEND BATH & WC, MOVE THE LINEN	NN	07/4/26

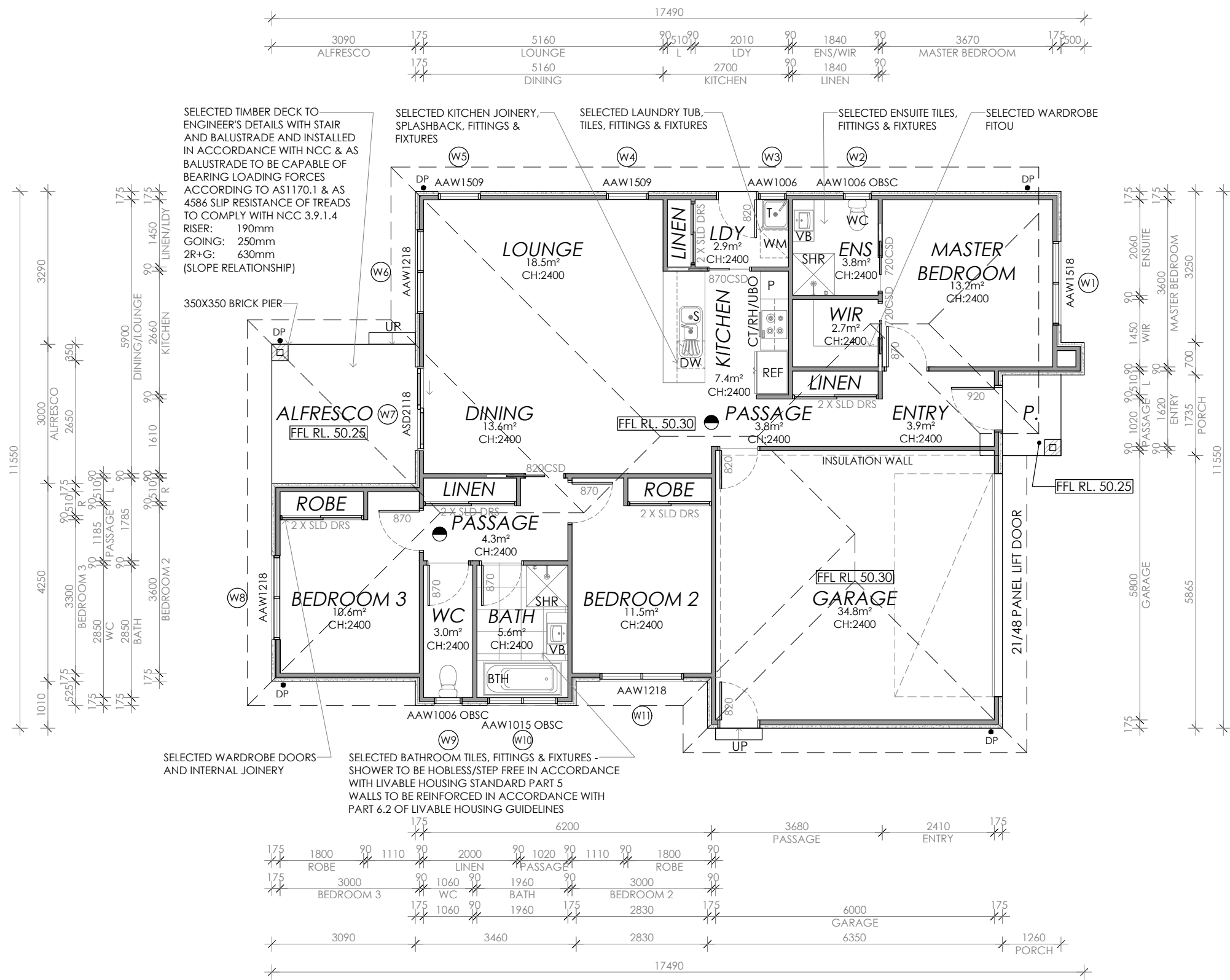
CREATIVE HOMES HOBART, CNR OF ELWICK ROAD & BROOKER HIGHWAY, GLENORCHY 7010 PH: 03 6272 3000

JOB ADDRESS: Lot 31 Tasman Rise Rokeby	CLIENT: Troy Oates
DESIGNER: I. Brown	ACCRED. NO.: CC6652
DRAWN: A. Nguyen	DATE: February 2026
CHECKED:	DATE:
SCALE: 1:200	REV: B
	SHEET: 2 of 9
	DESIGN TYPE: Custom
	DRAWING NO: ---

AREAS:	
FLOOR AREA:	122.8 m ²
PORCH:	2.2 m ²
GARAGE:	37.1 m ²
ALFRESCO:	9.3 m ²
TOTAL AREA:	171.4 m ²

LEGEND:	
DP	DOWNPIPE LOCATION
SHR	SHOWER
WIS	WALK IN SHOWER
BTH	BATH
VB	VANITY BASIN
WC	TOILET
OHC	OVERHEAD CUPBOARDS
REF	REFRIGERATOR
P	PANTRY
RH	RANGE HOOD
UBO	UNDER BENCH OVEN
CT	COOK TOP
S	SINK
DW	DISH WASHER
T	TROUGH
WM	WASHING MACHINE
MH	MANHOLE
CSD	CAVITY SLIDING DOOR
AAW	ALUM. AWNING WINDOW
AFW	ALUM. FIXED WINDOW
ASD	ALUM. SLIDING DOOR
B/O	BEAM OVER
BAL	BALUSTRADE
BAL	SELECTED BALUSTRADE TO BUILDER'S STANDARD DETAIL INSTALLED IN ACCORDANCE WITH NCC
●	MASONRY ARTICULATION JOINT - LOCATION TO ENGINEER'S DETAILS
●	CEILING MOUNTED INTERCONNECTED SMOKE DETECTORS, MAINS WIRED WITH BATTERY BACKUP, ALL IN ACCORDANCE WITH AS 3786.
●	90mm DOWNPIPE

NOTE: LIFT OFF HINGES TO WC TO BE INSTALLED AS REQUIRED IN ACCORDANCE WITH NCC.



Framing NCC H1D6
All timber framing, fixing and bracing shall comply with AS 1684 and the requirements of NCC H1D6. Manufactured sizes must not be undersized to those specified, for all timber sizes, stress grades, spacing and wall bracing refer to Engineer's details. Tie-down details shall be in accordance with Engineer's details and comply with NCC H1D6 (4). Structural steel members shall comply with the requirements of clauses in NCC H1D6 (3). Refer to Engineer's details where provided.

Glazing NCC H1D8
All windows to be aluminium awning style, double glazed (obscured safety glass to bathrooms as shown on drawings) All glazing shall comply with the requirements of AS 2047 & AS 1288 and NCC H1D8.

Human impact safety requirements shall comply with NCC H1D8 (3) and Part 8.4 of the ABCB Housing provisions.

Note:
Builder and subcontractors to verify all dimension and levels prior to the commencement of any work. Give 24hrs minimum notice where amendments are required to design of working drawings. These drawings are to be read in conjunction with Engineer's and Surveyor's drawings and notes. Do not scale drawings. Dimensions are to take preference over scale. Building specification and Engineer's drawings shall override architectural drawings. All construction work shall be carried out in accordance with the state building regulations, local council by-laws and relevant NCC and AS codes.

Important notice for attention of Owners:
the Owners attention is drawn to the fact that foundations and associated drainage in all sites requires continuing maintenance to assist footing performance. Advice for foundation maintenance is contained in the CSIRO building technology file 18 and it is the Owners responsibility to maintain the site in accordance with this document.

Energy efficiency:
Insulation must comply with AS/NZS4859.1 and be installed in accordance with ABCB housing provisions Part 13.2.2 and comply with minimum R values for climate zone 7.
Bulk insulation between external studs to be insulated with min R2.0. (Ensure batts fit within a cavity without compression, making sure that there is at least 25mm gap from the reflective surface). External walls are to be clad with vapour permeable reflective foil over the outside of the timber frame. Ceiling to be insulated with R4.0 and vapour permeable sarking. Floor to be insulated with Min R1.7 batts where applicable. Seal exhaust fans to Ensuite, Bathroom, Laundry and Kitchen. All downlights to be IC rated. Construction of the external walls, floor and roof for compliance with building sealing requirements shall comply with BCA 2019 Part 3.12

General:
All flashings, weep holes and damp proof coursing to be in accordance with NCC Housing provisions Part 5.7. Fibre cement sheet in accordance with NCC Housing provisions Part 7.5. Block construction in accordance NCC Housing provisions Part 5. Plasterboard linings to internal walls and ceilings with selected cornice. (see below for wet areas)

Wet areas: All wet areas shall comply with the requirements of ABCB Housing provisions Part 10.2. Provide waterproof plasterboard sheeting to all walls and ceilings. Provide ceramic tiles or other approved water resistant lining in accordance with Part 10.2.9 to a minimum height of 1800mm to shower walls and to a height of min 150mm behind baths, basins, sinks, troughs, washing machines and wall fixtures.

For construction of floor wastes refer to NCC ABCB Housing provisions part 10.2.12. For typical installation requirements for substrate preparation, penetrations, flashings/junctions, membranes, screeds, hobs, baths, showers, door jambs and screens refer to ABCB Housing provisions part 10.2.14-32.

PROPOSED FLOOR PLAN

FLOOR AREA: 171.4m²

PRELIMINARY

CREATIVE HOMES HOBART
CREATIVE HOMES HOBART, CNR OF ELWICK ROAD & BROOKER HIGHWAY, GLENORCHY 7010 PH: 03 6272 3000

JOB ADDRESS: Lot 31 Tasman Rise Rokeyby		CLIENT: Troy Oates
DESIGNER: I. Brown	ACCRED. NO.: CC6652	SHEET: 3 of 9
DRAWN: A. Nguyen	DATE: February 2026	DESIGN TYPE: Custom
CHECKED:	DATE:	DRAWING NO:
SCALE: 1:100	REV: B	

© COPYRIGHT IN WHOLE OR IN PART

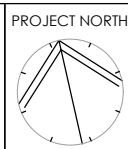
03	PROJECT NORTH	CONTRACTOR MUST VERIFY ALL DIMENSIONS AND LEVELS AT THE JOB PRIOR TO COMMENCING ANY WORK OR MAKING ANY SHOP DRAWINGS.	REV: DESCRIPTION:	BY: DATE:
		DO NOT SCALE DRAWINGS. ALWAYS USE WRITTEN DIMENSIONS.	SK ISSUED FOR CLIENT REVIEW	HT 05/2/26
			A ISSUED FOR CLIENT REVIEW	AN 19/3/26
			B EXTEND BATH & WC, MOVE THE LINEN	NN 07/4/26

PROPOSED ROOF PLAN

PRELIMINARY

© COPYRIGHT IN WHOLE OR IN PART

04



CONTRACTOR MUST VERIFY ALL DIMENSIONS AND LEVELS AT THE JOB PRIOR TO COMMENCING ANY WORK OR MAKING ANY SHOP DRAWINGS.
DO NOT SCALE DRAWINGS.
ALWAYS USE WRITTEN DIMENSIONS.

REV:	DESCRIPTION:	BY:	DATE:
SK	ISSUED FOR CLIENT REVIEW	HT	05/2/26
A	ISSUED FOR CLIENT REVIEW	AN	19/3/26
B	EXTEND BATH & WC, MOVE THE LINEN	NN	07/4/26

CREATIVE HOMES HOBART
CREATIVE HOMES HOBART, CNR OF ELWICK ROAD & BROOKER HIGHWAY, GLENORCHY 7010 PH: 03 6272 3000

JOB ADDRESS: Lot 31 Tasman Rise Rokeby		CLIENT: Troy Oates
DESIGNER: I. Brown	ACCRED. NO.: CC6652	SHEET: 4 of 9
DRAWN: A. Nguyen	DATE: February 2026	DESIGN TYPE: Custom
CHECKED:	DATE:	DRAWING NO:
SCALE: 1:100	REV: B	---

Framing NCC H1D6
All timber framing, fixing and bracing shall comply with AS 1684 and the requirements of NCC H1D6. Manufactured sizes must not be undersized to those specified, for all timber sizes, stress grades, spacing and wall bracing refer to Engineer's details. Tie-down details shall be in accordance with Engineer's details and comply with NCC H1D6 (4). Structural steel members shall comply with the requirements of clauses in NCC H1D6 (3). Refer to Engineer's details where provided.

Glazing NCC H1D8
All windows to be aluminium awning style, double glazed (obscured safety glass to bathrooms as shown on drawings) All glazing shall comply with the requirements of AS 2047 & AS 1288 and NCC H1D8.

Human impact safety requirements shall comply with NCC H1D8 (3) and Part 8.4 of the ABCB Housing provisions.

Note:
Builder and subcontractors to verify all dimension and levels prior to the commencement of any work. Give 24hrs minimum notice where amendments are required to design of working drawings. These drawings are to be read in conjunction with Engineer's and Surveyor's drawings and notes. Do not scale drawings. Dimensions are to take preference over scale. Building specification and Engineer's drawings shall override architectural drawings. All construction work shall be carried out in accordance with the state building regulations, local council by-laws and relevant NCC and AS codes.

Important notice for attention of Owners:
The Owners attention is drawn to the fact that foundations and associated drainage in all sites requires continuing maintenance to assist footing performance. Advice for foundation maintenance is contained in the CSIRO building technology file 18 and it is the Owners responsibility to maintain the site in accordance with this document.

Energy efficiency:
Insulation must comply with AS/NZS4859.1 and be installed in accordance with ABCB housing provisions Part 13.2.2 and comply with minimum R values for climate zone 7.

Bulk insulation between external studs to be insulated with min R2.0. (Ensure batts fit within cavity without compression, making sure that there is at least 25mm gap from the reflective surface). External walls are to be clad with vapour permeable reflective foil over the outside of the timber frame. Ceiling to be insulated with R4.0 and vapour permeable sarking. Floor to be insulated with Min R1.7 batts where applicable. Seal exhaust fans to Ensuite, Bathroom, Laundry and Kitchen. All downlights to be IC rated. Construction of the external walls, floor and roof for compliance with building sealing requirements shall comply with BCA 2019 Part 3.12

General:
All flashings, weep holes and damp proof coursing to be in accordance with NCC Housing provisions Part 5.7. Fibre cement sheet in accordance with NCC Housing provisions Part 7.5. Block construction in accordance NCC Housing provisions Part 5. Plasterboard linings to internal walls and ceilings with selected cornice. (see below for wet areas)

Wet areas: All wet areas shall comply with the requirements of ABCB Housing provisions Part 10.2. Provide waterproof plasterboard sheeting to all walls and ceilings. Provide ceramic tiles or other approved water resistant lining in accordance with Part 10.2.9 to a minimum height of 1800mm to shower walls and to a height of min 1500mm behind baths, basins, sinks, troughs, washing machines and wall fixtures.

For construction of floor wastes refer to NCC ABCB Housing provisions part 10.2.12. For typical installation requirements for substrate preparation, penetrations, flashings/ junctions, membranes, screeds, hobs, baths, showers, door jambs and screens refer to ABCB Housing provisions part 10.2.14-32.

● DP 90mm DOWNPIPE

RIDGE TO HAVE CONTINUOUS GAP IN VAPOUR PERMEABLE SARKING (5mm) OR EQUIV. VENTILATION SYSTEM (EXHAUST) IN ACCORDANCE WITH NCC SECTION H (TAS H4D9) AND ABCB HOUSING PROVISIONS 10.8.3

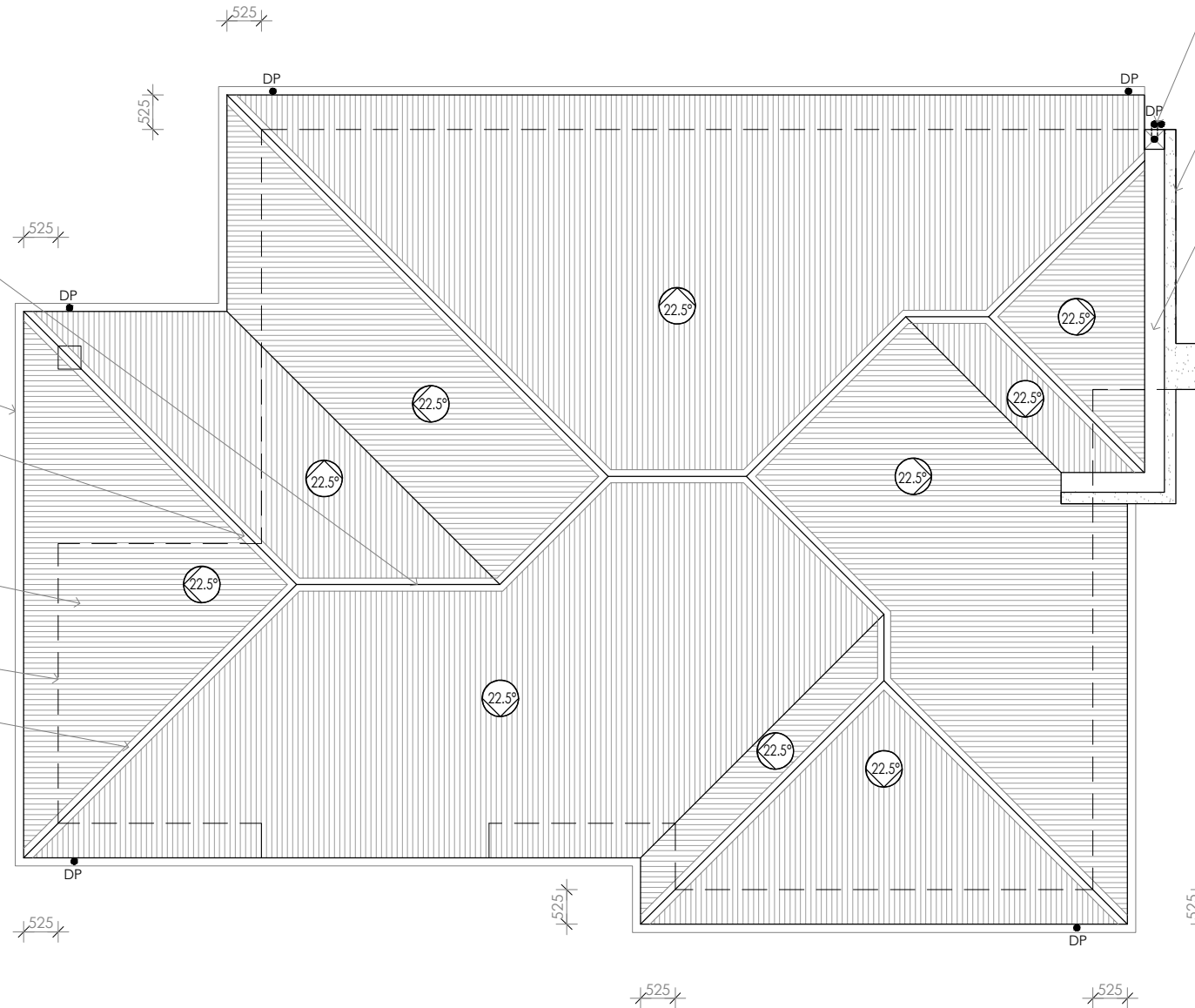
SELECT COLORBOND FASCIA AND GUTTERING

VAPOUR PERMEABLE SARKING OVER BATTENS (OR EQUIV.) (WITH 25MM SAG AIR GAP TO ROOFING) AND MINIMUM 10MM ROOF VENTILATION (SUPPLY) GAP IN ACCORDANCE WITH NCC SECTION H (TAS H4D9) AND ABCB HOUSING PROVISIONS 10.8.3

SELECTED COLORBOND ROOF INSTALLED TO MANUFACTURER'S SPECIFICATION

LINE OF BUILDING UNDER

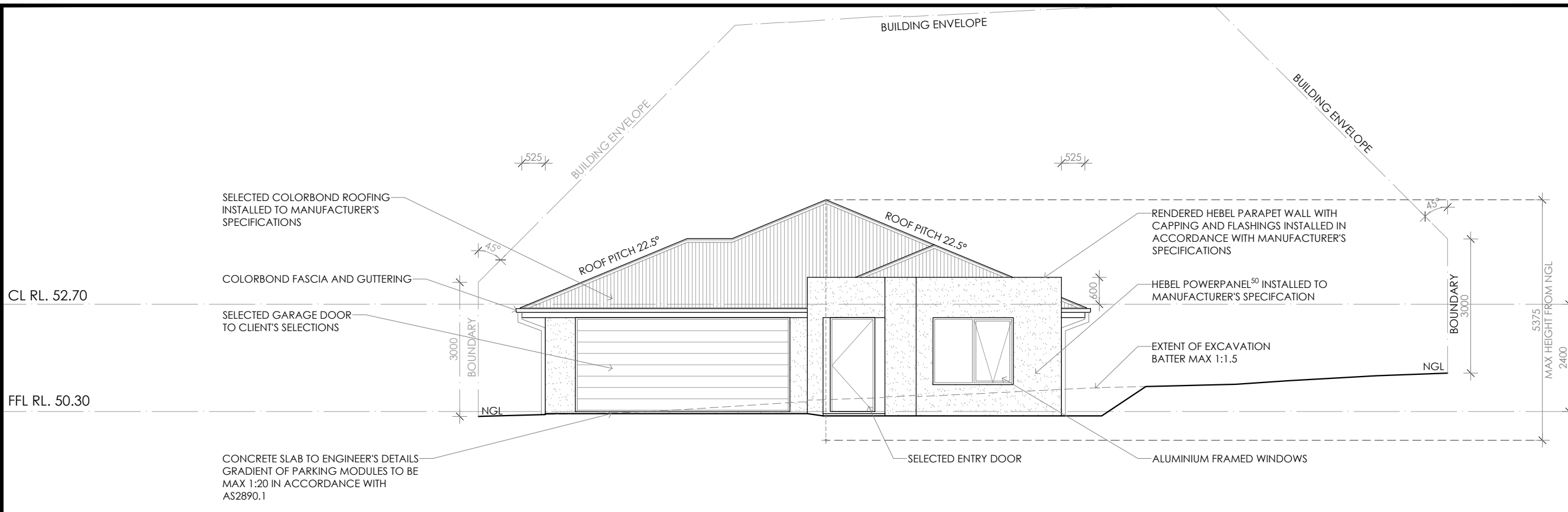
SELECT COLORBOND CAPPING AND FLASHINGS INSTALLED TO MANUFACTURER'S SPECIFICATION



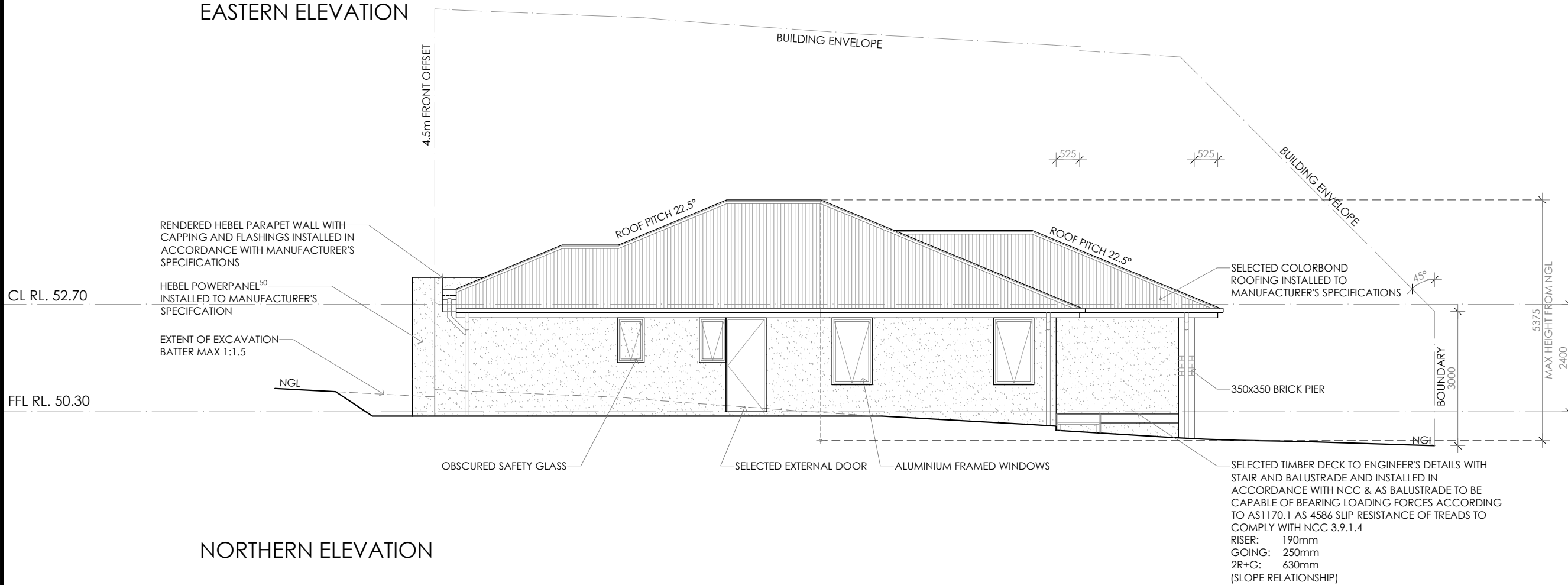
PIPE PENETRATIONS THROUGH WALLS TO BE PROVIDED WITH PROTECTIVE SLEEVE. INTERNAL ANNULAR SPACE TO BE SEALED WITH NON-SHRINK GROUT, EXTERNAL WITH WEATHERPROOF SEALANT AND PROTECTIVE FLASHING.

RENDERED BRICKWORK PARAPET WALL WITH CAPPING AND FLASHINGS INSTALLED IN ACCORDANCE WITH MANUFACTURER'S SPECIFICATIONS

BOX GUTTER 300 WIDE x 125mm DEEP WITH 300 WIDE x 85 DEEP x 300 LONG SUMP. CONNECT BOX GUTTER DP TO EXTERNAL DOWNPIPE THROUGH THE WALL.



EASTERN ELEVATION



NORTHERN ELEVATION

Framing NCC H1D6
 All timber framing, fixing and bracing shall comply with AS 1684 and the requirements of NCC H1D6. Manufactured sizes must not be undersized to those specified, for all timber sizes, stress grades, spacing and wall bracing refer to Engineer's details. Tie-down details shall be in accordance with Engineer's details and comply with NCC H1D6 (4). Structural steel members shall comply with the requirements of clauses in NCC H1D6 (3). Refer to Engineer's details where provided.

Glazing NCC H1D8
 All windows to be aluminium awning style, double glazed (obscured safety glass to bathrooms as shown on drawings) All glazing shall comply with the requirements of AS 2047 & AS 1288 and NCC H1D8.

Human impact safety requirements shall comply with NCC H1D8 (3) and Part 8.4 of the ABCB Housing provisions.

Note:
 Builder and subcontractors to verify all dimension and levels prior to the commencement of any work. Give 24hrs minimum notice where amendments are required to design of working drawings. These drawings are to be read in conjunction with Engineer's and Surveyor's drawings and notes. Do not take scale drawings. Dimensions are to take preference over scale. Building specification and Engineer's drawings shall override architectural drawings. All construction work shall be carried out in accordance with the state building regulations, local council by-laws and relevant NCC and AS codes.

Important notice for attention of Owners:
 the Owners attention is drawn to the fact that foundations and associated drainage in all sites requires continuing maintenance to assist footing performance. Advice for foundation maintenance is contained in the CSIRO building technology file 18 and it is the Owners responsibility to maintain the site in accordance with this document.

Energy efficiency:
 Insulation must comply with AS/NZS4859.1 and be installed in accordance with ABCB housing provisions Part 13.2.2 and comply with minimum R values for climate zone 7.

Bulk insulation between external studs to be insulated with min R2.0. (Ensure batts fit within cavity without compression, making sure that there is at least 25mm gap from the reflective surface). External walls are to be clad with vapour permeable reflective foil over the outside of the timber frame. Ceiling to be insulated with R4.0 and vapour permeable sarking. Floor to be insulated with Min R1.7 batts where applicable. Seal exhaust fans to Ensuite, Bathroom, Laundry and Kitchen. All downlights to be IC rated. Construction of the external walls, floor and roof for compliance with building sealing requirements shall comply with BCA 2019 Part 3.12

General:
 All flashings, weep holes and damp proof coursing to be in accordance with NCC Housing provisions Part 5.7. Fibre cement sheet in accordance with NCC Housing provisions Part 7.5. Block construction in accordance NCC Housing provisions Part 5. Plasterboard linings to internal walls and ceilings with selected cornice. (see below for wet areas)

Wet areas: All wet areas shall comply with the requirements of ABCB Housing provisions Part 10.2. Provide waterproof plasterboard sheeting to all walls and ceilings. Provide ceramic tiles or other approved water resistant lining in accordance with Part 10.2.9 to a minimum height of 1800mm to shower walls and to a height of min 150mm behind baths, basins, sinks, troughs, washing machines and wall fixtures.

For construction of floor wastes refer to NCC ABCB Housing provisions part 10.2.12. For typical installation requirements for substrate preparation, penetrations, flashings/ junctions, membranes, screeds, hobs, baths, showers, door jambs and screens refer to ABCB Housing provisions part 10.2.14-32.

PRELIMINARY

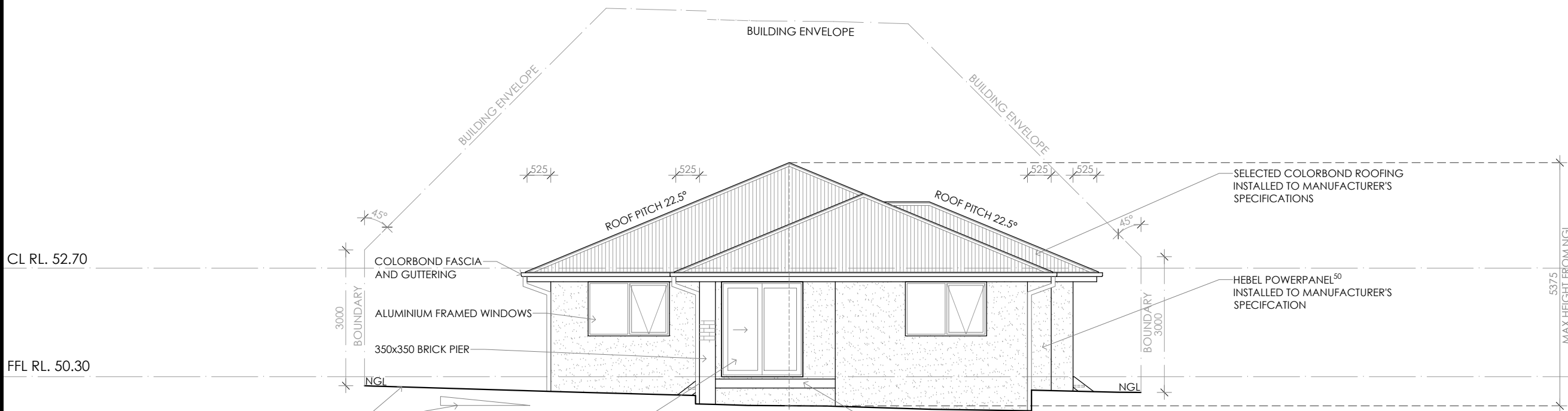
© COPYRIGHT IN WHOLE OR IN PART

05	PROJECT NORTH	CONTRACTOR MUST VERIFY ALL DIMENSIONS AND LEVELS AT THE JOB PRIOR TO COMMENCING ANY WORK OR MAKING ANY SHOP DRAWINGS.
		DO NOT SCALE DRAWINGS. ALWAYS USE WRITTEN DIMENSIONS.

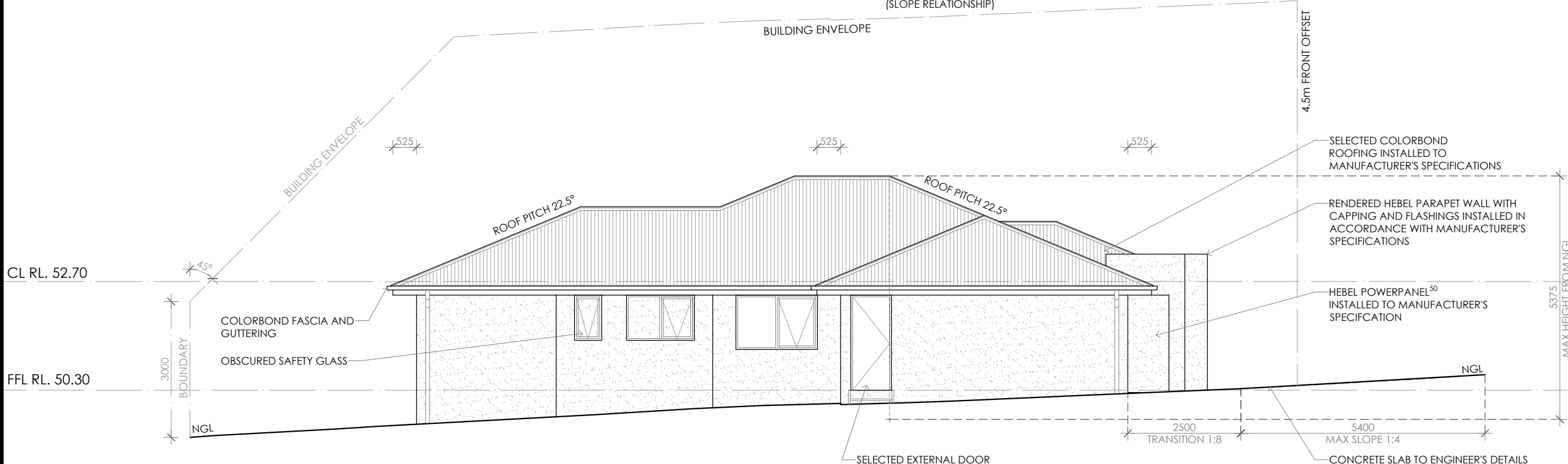
REV:	DESCRIPTION:	BY:	DATE:
SK	ISSUED FOR CLIENT REVIEW	HT	05/2/26
A	ISSUED FOR CLIENT REVIEW	AN	19/3/26
B	EXTEND BATH & WC, MOVE THE LINEN	NN	07/4/26

CREATIVE HOMES HOBART, CNR OF ELWICK ROAD & BROOKER HIGHWAY, GLENORCHY 7010 PH: 03 6272 3000

JOB ADDRESS: Lot 31 Tasman Rise Rokeby		CLIENT: Troy Oates
DESIGNER: I. Brown	ACCRED. NO.: CC6652	SHEET: 5 of 9
DRAWN: A. Nguyen	DATE: February 2026	DESIGN TYPE: Custom
CHECKED:	DATE:	DRAWING NO:
SCALE: 1:100	REV: B	---



WESTERN ELEVATION



SOUTHERN ELEVATION

Framing NCC H1D6
 All timber framing, fixing and bracing shall comply with AS 1684 and the requirements of NCC H1D6. Manufactured sizes must not be undersized to those specified, for all timber sizes, stress grades, spacing and wall bracing refer to Engineer's details. Tie-down details shall be in accordance with Engineer's details and comply with NCC H1D6 (4). Structural steel members shall comply with the requirements of clauses in NCC H1D6 (3). Refer to Engineer's details where provided.

Glazing NCC H1D8
 All windows to be aluminium awning style, double glazed (obscured safety glass to bathrooms as shown on drawings) All glazing shall comply with the requirements of AS 2047 & AS 1288 and NCC H1D8.

Human impact safety requirements shall comply with NCC H1D8 (3) and Part 8.4 of the ABCB Housing provisions.

Note:
 Builder and subcontractors to verify all dimension and levels prior to the commencement of any work. Give 24hrs minimum notice where amendments are required to design of working drawings. These drawings are to be read in conjunction with Engineer's and Surveyor's drawings and notes. Do not scale drawings. Dimensions are to take preference over scale. Building specification and Engineer's drawings shall override architectural drawings. All construction work shall be carried out in accordance with the state building regulations, local council by-laws and relevant NCC and AS codes.

Important notice for attention of Owners:
 The Owners attention is drawn to the fact that foundations and associated drainage in all sites requires continuing maintenance to assist footing performance. Advice for foundation maintenance is contained in the CSIRO building technology file 18 and it is the Owners responsibility to maintain the site in accordance with this document.

Energy efficiency:
 Insulation must comply with AS/NZS4859.1 and be installed in accordance with ABCB housing provisions Part 13.2.2 and comply with minimum R values for climate zone 7. Bulk insulation between external studs to be insulated with min R2.0. (Ensure batts fit within cavity without compression, making sure that there is at least 25mm gap from the reflective surface). External walls are to be clad with vapour permeable reflective foil over the outside of the timber frame. Ceiling to be insulated with R4.0 and vapour permeable sarking. Floor to be insulated with Min R1.7 batts where applicable. Seal exhaust fans to Ensuite, Bathroom, Laundry and Kitchen. All downlights to be IC rated. Construction of the external walls, floor and roof for compliance with building sealing requirements shall comply with BCA 2019 Part 3.12

General:
 All flashings, weep holes and damp proof coursing to be in accordance with NCC Housing provisions Part 5.7. Fibre cement sheet in accordance with NCC Housing provisions Part 7.5. Block construction in accordance NCC Housing provisions Part 5. Plasterboard linings to internal walls and ceilings with selected cornice. (see below for wet areas)

Wet areas: All wet areas shall comply with the requirements of ABCB Housing provisions Part 10.2. Provide waterproof plasterboard sheeting to all walls and ceilings. Provide ceramic tiles or other approved water resistant lining in accordance with Part 10.2.9 to a minimum height of 1800mm to shower walls and to a height of min 150mm behind baths, basins, sinks, troughs, washing machines and wall fixtures.

For construction of floor wastes refer to NCC ABCB Housing provisions part 10.2.12. For typical installation requirements for substrate preparation, penetrations, flashings/ junctions, membranes, screeds, hobs, baths, showers, door jambs and screens refer to ABCB Housing provisions part 10.2.14-32.

PRELIMINARY

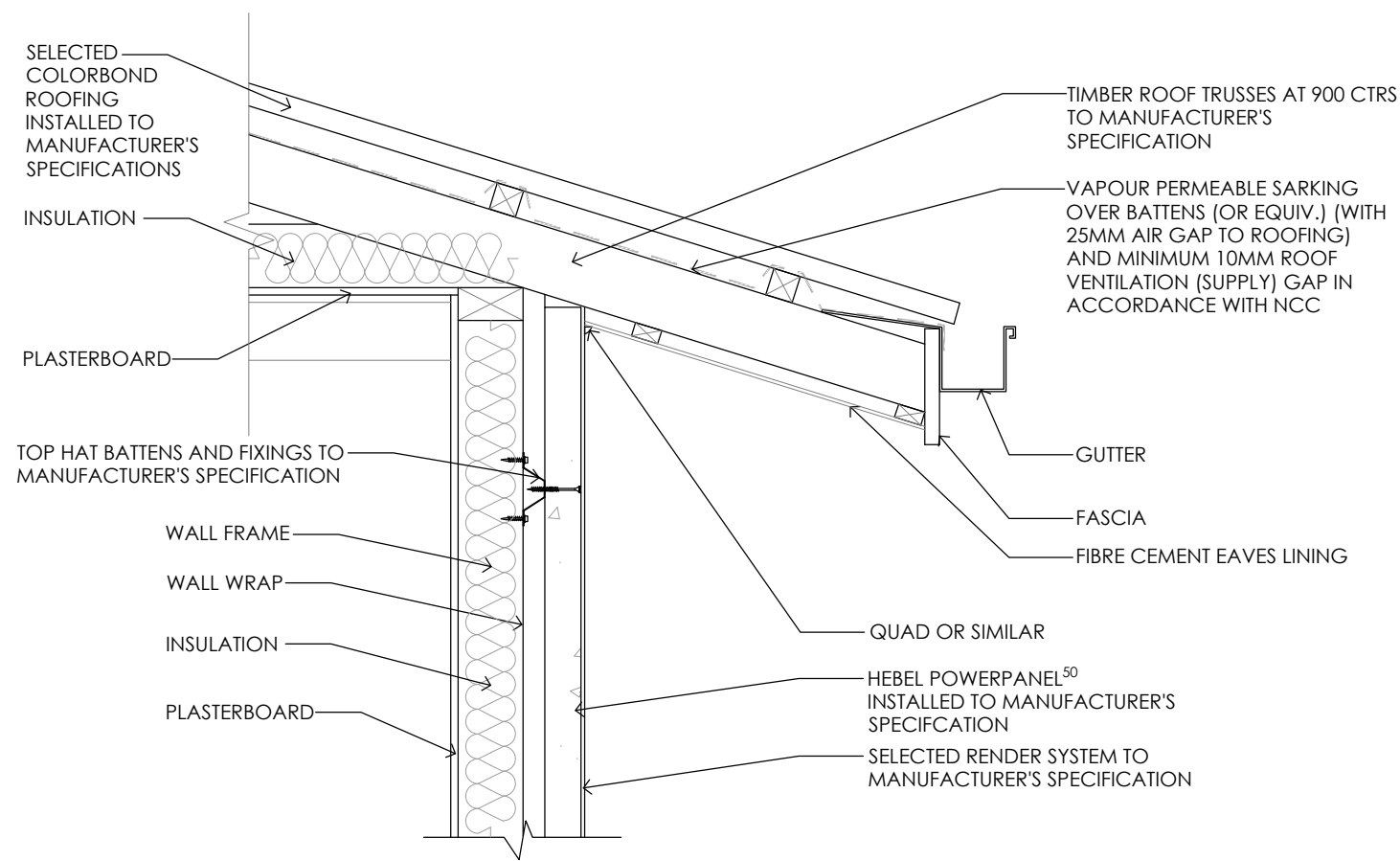
© COPYRIGHT IN WHOLE OR IN PART

06	PROJECT NORTH 	CONTRACTOR MUST VERIFY ALL DIMENSIONS AND LEVELS AT THE JOB PRIOR TO COMMENCING ANY WORK OR MAKING ANY SHOP DRAWINGS.	REV: SK	DESCRIPTION: ISSUED FOR CLIENT REVIEW	BY: HT	DATE: 05/2/26
		DO NOT SCALE DRAWINGS. ALWAYS USE WRITTEN DIMENSIONS.	A	ISSUED FOR CLIENT REVIEW	AN	19/3/26
			B	EXTEND BATH & WC, MOVE THE LINEN	NN	07/4/26

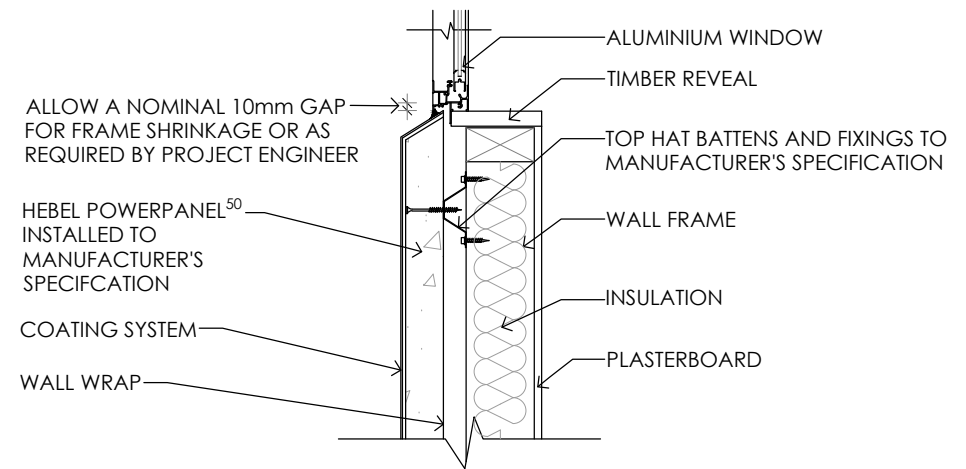
CREATIVE HOMES HOBART
 CREATIVE HOMES HOBART, CNR OF ELWICK ROAD & BROOKER HIGHWAY, GLENORCHY 7010 PH: 03 6272 3000

JOB ADDRESS: Lot 31 Tasman Rise Rokeby	
DESIGNER: I. Brown	ACCRED. NO.: CC6652
DRAWN: A. Nguyen	DATE: February 2026
CHECKED:	DATE:
SCALE: 1:100	REV: B

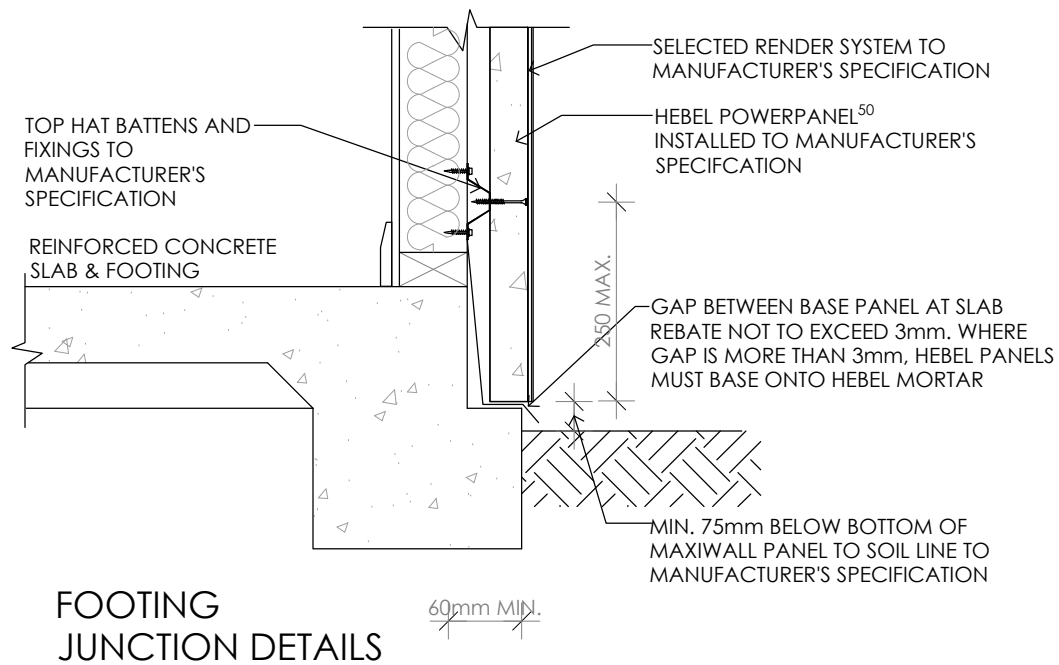
CLIENT: Troy Oates	SHEET: 6 of 9
DESIGN TYPE: Custom	DRAWING NO: ---



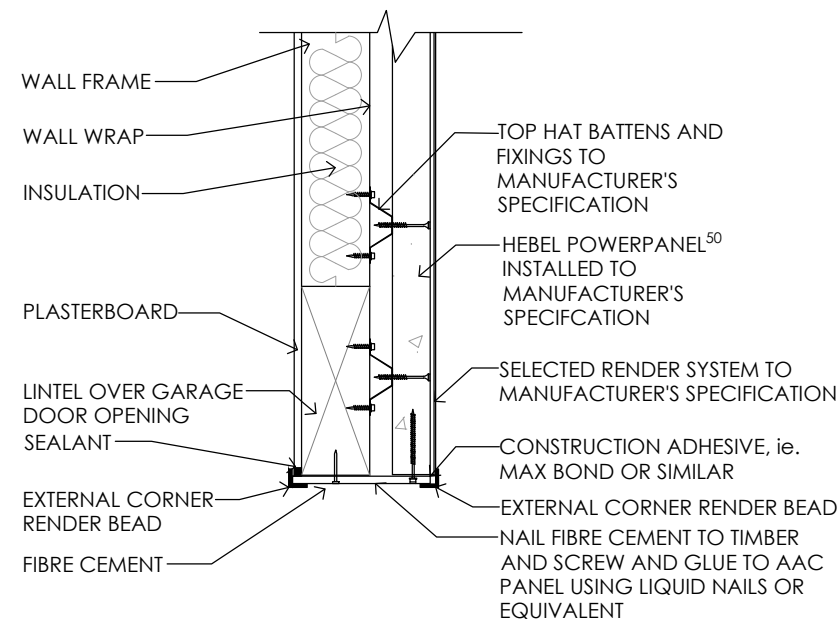
TYPICAL ROOF EAVES DETAILS



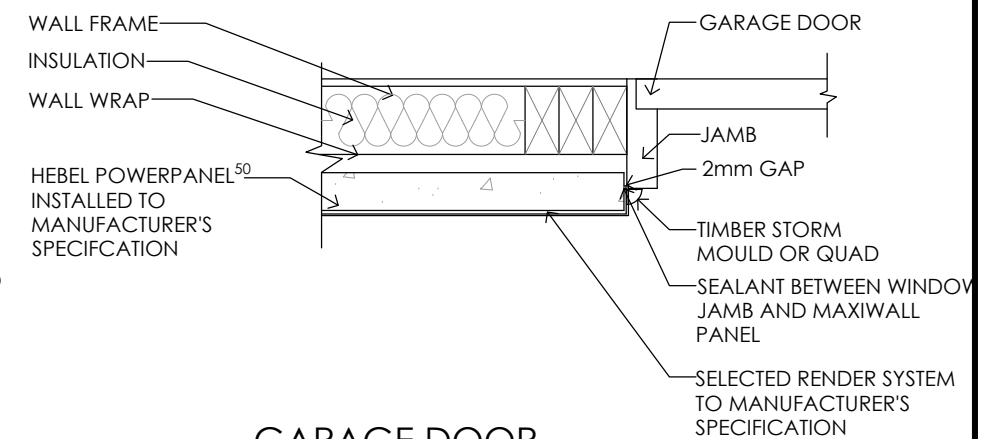
TYPICAL WINDOW SILL DETAIL ALUMINIUM WINDOW FRAME



FOOTING JUNCTION DETAILS



GARAGE DOOR - HEAD DETAIL

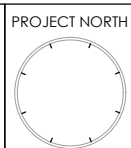


GARAGE DOOR - JAMB DETAIL

PRELIMINARY

© COPYRIGHT IN WHOLE OR IN PART

08



PROJECT NORTH
CONTRACTOR MUST VERIFY ALL DIMENSIONS AND LEVELS AT THE JOB PRIOR TO COMMENCING ANY WORK OR MAKING ANY SHOP DRAWINGS.
DO NOT SCALE DRAWINGS. ALWAYS USE WRITTEN DIMENSIONS.

REV:	DESCRIPTION:	BY:	DATE:
SK	ISSUED FOR CLIENT REVIEW	HT	05/2/26
A	ISSUED FOR CLIENT REVIEW	AN	19/3/26
B	EXTEND BATH & WC, MOVE THE LINEN	NN	07/4/26

CREATIVE HOMES
HOBART

CREATIVE HOMES HOBART, CNR OF ELWICK ROAD & BROOKER HIGHWAY, GLENORCHY 7010 PH: 03 6272 3000

JOB ADDRESS: Lot 31 Tasman Rise Roakeby		CLIENT: Troy Oates
DESIGNER: I. Brown	ACCRED. NO.: CC6652	SHEET: 8 of 9
DRAWN: A. Nguyen	DATE: February 2026	DESIGN TYPE: Custom
CHECKED:	DATE:	DRAWING NO:
SCALE: AS SHOWN	REV: B	

CLIENT: Troy Oates	SHEET: 8 of 9
DESIGN TYPE: Custom	DRAWING NO:

Framing NCC HD6
 All timber framing, fixing and bracing shall comply with AS 1684 and the requirements of NCC HD6. Manufactured sizes must not be undersized to those specified, for all timber sizes, stress grades, spacing and wall bracing refer to Engineer's details. Tie-down details shall be in accordance with Engineer's details and comply with NCC HD6 (4). Structural steel members shall comply with the requirements of clauses in NCC HD6 (3). Refer to Engineer's details where provided.

Glazing NCC HD8
 All windows to be aluminium awning style, double glazed (obscured safety glass to bathrooms as shown on drawings) All glazing shall comply with the requirements of AS 2047 & AS 1288 and NCC HD8.

Human impact safety requirements shall comply with NCC HD8 (3) and Part 8.4 of the ABCB Housing provisions.

Note:
 Builder and subcontractors to verify all dimension and levels prior to the commencement of any work. Give 24hrs minimum notice where amendments are required to design of working drawings. These drawings are to be read in conjunction with Engineer's and Surveyor's drawings and notes. Do not scale drawings. Dimensions are to take preference over scale. Building specification and Engineer's drawings shall override architectural drawings. All construction work shall be carried out in accordance with the state building regulations, local council by-laws and relevant NCC and AS codes.

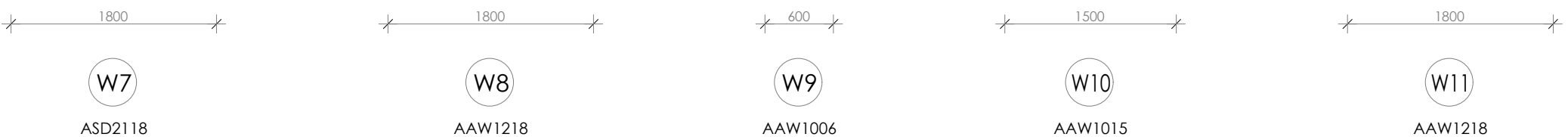
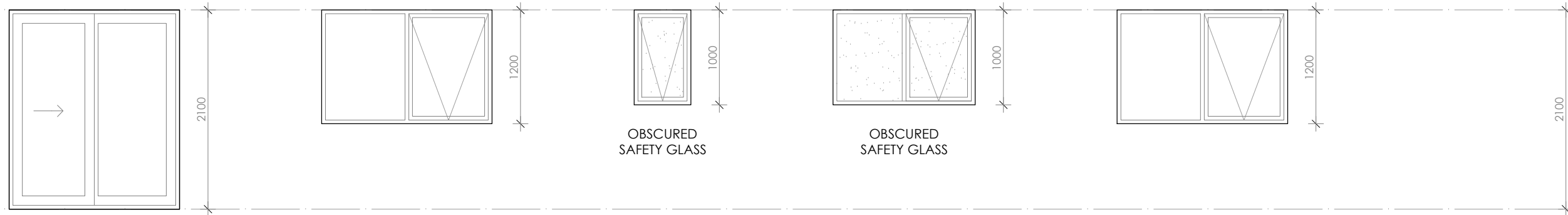
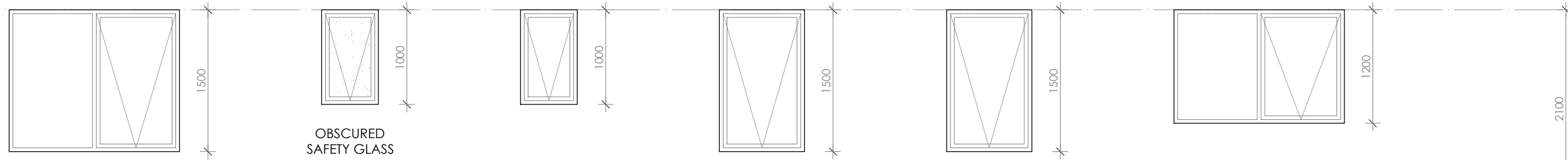
Important notice for attention of Owners:
 the Owners attention is drawn to the fact that foundations and associated drainage in all sites requires continuing maintenance to assist footing performance. Advice for foundation maintenance is contained in the CSIRO building technology file 18 and it is the Owners responsibility to maintain the site in accordance with this document.

Energy efficiency:
 Insulation must comply with AS/NZS4859.1 and be installed in accordance with ABCB housing provisions Part 13.2.2 and comply with minimum R values for climate zone 7.
 Bulk insulation between external studs to be insulated with min R2.0. (Ensure batts fit within cavity without compression, making sure that there is at least 25mm gap from the reflective surface). External walls are to be clad with vapour permeable reflective foil over the outside of the timber frame. Ceiling to be insulated with R4.0 and vapour permeable sarking. Floor to be insulated with Min R1.7 batts where applicable. Seal exhaust fans to Ensuite, Bathroom, Laundry and Kitchen. All downlights to be IC rated. Construction of the external walls, floor and roof for compliance with building sealing requirements shall comply with BCA 2019 Part 3.12

General:
 All flashings, weep holes and damp proof coursing to be in accordance with NCC Housing provisions Part 5.7. Fibre cement sheet in accordance with NCC Housing provisions Part 7.5. Block construction in accordance NCC Housing provisions Part 5. Plasterboard linings to internal walls and ceilings with selected cornice. (see below for wet areas)

Wet areas: All wet areas shall comply with the requirements of ABCB Housing provisions Part 10.2. Provide waterproof plasterboard sheeting to all walls and ceilings. Provide ceramic tiles or other approved water resistant lining in accordance with Part 10.2.9 to a minimum height of 1800mm to shower walls and to a height of min 150mm behind baths, basins, sinks, troughs, washing machines and wall fixtures.

For construction of floor wastes refer to NCC ABCB Housing provisions part 10.2.12. For typical installation requirements for substrate preparation, penetrations, flashings/ junctions, membranes, screeds, holds, baths, showers, door jambs and screens refer to ABCB Housing provisions part 10.2.14-32.



WINDOW SCHEDULE

fg FIXED GLAZING

PRELIMINARY

© COPYRIGHT IN WHOLE OR IN PART

09	PROJECT NORTH	CONTRACTOR MUST VERIFY ALL DIMENSIONS AND LEVELS AT THE JOB PRIOR TO COMMENCING ANY WORK OR MAKING ANY SHOP DRAWINGS.	REV:	DESCRIPTION:	BY:	DATE:
		DO NOT SCALE DRAWINGS. ALWAYS USE WRITTEN DIMENSIONS.	SK	ISSUED FOR CLIENT REVIEW	HT	05/2/26
			A	ISSUED FOR CLIENT REVIEW	AN	19/3/26
			B	EXTEND BATH & WC, MOVE THE LINEN	NN	07/4/26

CREATIVE HOMES HOBART, CNR OF ELWICK ROAD & BROOKER HIGHWAY, GLENORCHY 7010 PH: 03 6272 3000

JOB ADDRESS: Lot 31 Tasman Rise Rokeby	
DESIGNER: I. Brown	ACCRED. NO.: CC6652
DRAWN: A. Nguyen	DATE: February 2026
CHECKED:	DATE:
SCALE: 1:50	REV: B

CLIENT: Troy Oates
SHEET: 9 of 9
DESIGN TYPE: Custom
DRAWING NO: ---

AS2870:2011 SITE ASSESSMENT

Lot 31 Tasman Rise

Rokeby

December 2025



GEO-ENVIRONMENTAL

S O L U T I O N S

Disclaimer: The author does not warrant the information contained in this document is free from errors or omissions. The author shall not in any way be liable for any loss, damage or injury suffered by the User consequent upon, or incidental to, the existence of errors in the information.

Investigation Details

Client:	Creative Homes Hobart
Site Address:	Lot 31 Tasman Rise, Rokeby
Date of Inspection:	02/12/2025
Proposed Works:	New house
Investigation Method:	Geoprobe 540UD - Direct Push
Inspected by:	C. Cooper

Site Details

Certificate of Title (CT):	TBA
Title Area:	Approx. 504 m ²
Applicable Planning Overlays:	Bushfire-prone areas, Flood-prone Areas, Airport obstacle limitation area
Slope & Aspect:	5° W facing slope
Vegetation:	Grass & Weeds

Background Information

Geology Map:	MRT
Geological Unit:	Tertiary Sediments
Climate:	Annual rainfall 600mm
Water Connection:	Mains
Sewer Connection:	Serviced-Mains
Testing and Classification:	AS2870:2011, AS1726:2017 & AS4055:2021

Investigation

A number of bore holes were completed to identify the distribution and variation of the soil materials at the site, bore hole locations are indicated on the site plan. See soil profile conditions presented below. Tests were conducted across the site to obtain bearing capacities of the material at the time of this investigation.

Soil Profile Summary

BH 1 Depth (m)	BH 2 Depth (m)	USCS	Description
0.00-0.20	0.00-0.10	SM	FILL – Silty SAND: dark grey, brown, slightly moist, medium dense,
0.20-1.60	0.10-1.60	CH	FILL – Silty CLAY with gravel: high plasticity, dark yellow, grey, brown, slightly moist, stiff
1.60-1.80	1.60-1.90	ML	Clayey SILT : low plasticity, black, moist, firm; buried topsoil
1.80-2.00+	1.90-2.80	CH	Silty CLAY : medium to high plasticity, black, moist, stiff. >100kPa. No refusal in BH1
	2.80-3.00+	CI	Sandy CLAY : with gravel, medium plasticity, grey, brown, slightly moist, very stiff, >100kPa. No refusal in BH2

Site Notes

The soil profile in the proposed building area contains over 1.5m of uncontrolled fill material and constitutes various size fractions and is likely to have variable bearing capacity and should not be used as a founding material. The natural clay examined was highly plastic and is likely to exhibit significant ground surface movement with moisture fluctuations.

Site Classification

The site has been assessed and classified in accordance with AS2870:2011 “*Residential Slabs and Footings*”.

The site has been classified as:

Class P

y_s range: **40-60mm**

Notes: The site has been classified as Class P due to significant volumes of uncontrolled fill material across the site.

Wind Loading Classification

According to “AS4055:2021 - Wind Loads for Housing” the house site is classified below:

Wind Classification:	N2
Region:	A
Terrain Category:	2.5
Shielding Classification:	NS
Topographic Classification:	T1
Wind Classification:	N2
Design Wind Gust Speed – m/s ($V_{h,u}$):	40

Construction Notes & Recommendations

The site has been classified as **Class P** - see 'Site Classification' above.

Foundation Considerations:

It is recommended that all footing loads are transferred into the natural clay with bearing capacities suitable for the proposed design or not less than 100kPa for strip footings/edge beams and >50kPa beneath slab/raft, foundations must penetrate through any fill material & topsoil.

All earthworks on site must comply with AS3798:2007, it is recommended that consideration be given to drainage and sediment control on site during and after construction. Care should also be taken to ensure there is adequate drainage in the construction area to avoid the potential for weak bearing and foundation settlement associated with excessive soil moisture.

It is further recommended that during construction GES and/or the design engineer be notified of any major variation to the foundation conditions as outlined in this report.



Dr John Paul Cumming B.Agr.Sc (hons) PhD CPSS GAICD

Director

Explanatory Notes

1 Scope of Works

The methods of description and classification of soils used in this report are based largely on Australian Standard 1726 – Geotechnical Site Investigations (AS1726:2017), with reference to Australian Standard 1289 – Methods for testing soils for engineering purposes (AS1289), for eventual Site Classification according to Australian Standard 2870 (AS2870:2011) – Residential Slabs and Footings and Australian Standard 1547 (AS1547:2012) On-site domestic wastewater management.

1.1 Site Classification AS2870:2011

Site classification with reference to the above Australian Standards are based on site reactivity.

Class	Foundation Conditions	Characteristic Surface Movement
A	Most sand and rock sites with little or no ground movement from moisture changes.	0mm
S	Slightly reactive clay sites, which may experience only slight ground movement from moisture changes.	0 – 20mm
M	Moderately reactive clay or silt sites, which may experience moderate ground movement from moisture changes.	20 – 40mm
H-1	Highly reactive clay sites, which may experience high ground movement from moisture changes.	40 – 60mm
H-2	Highly reactive clay sites, which may experience very high ground movement from moisture changes.	60 – 75mm
E	Extremely reactive sites, which may experience extreme ground movement from moisture changes.	>75mm

*Note: Soils where foundation performance may be significantly affected by factors other than reactive soil movement are classified as **Class P**.*

A site is classified as **Class P** when:

- The bearing capacity of the soil profile in the foundation zone is generally less than 100kpa
- If excessive foundation settlement may occur due to loading on the foundation.
- The site contains uncontrolled fill greater than 0.8m in depth for sandy sites and 0.4m in depth for other soil materials.
- The site is subject to mine subsidence, landslip, collapse activity or coastal erosion.
- The site is underlain by highly dispersive soils with significant potential for erosion
- If the site is subject to abnormal moisture conditions which can affect foundation performance

1.2 Soil Characterisation

This information explains the terms of phrase used within the soil description area of the report.

It includes terminology for cohesive and non-cohesive soils and includes information on how the Unified Soil Classification Scheme (USCS) codes are determined.

NON COHSIVE – SAND & GRAVEL		
Consistency Description	Field Test	Dynamic Cone Penetrometer blows/100 mm
Very loose (VL)	Easily penetrated with 13 mm reinforcing rod pushed by hand.	0 - 1
Loose (L)	Easily penetrated with 13 mm reinforcing rod pushed by hand. Can be excavated with a spade; 50 mm wooden peg can be easily driven.	1 - 3
Medium dense (MD)	Penetrated 300 mm with 13 mm reinforcing rod driven with 2 kg hammer, - hard shovelling.	3 - 8
Dense (D)	Penetrated 300 mm with 13 mm reinforcing rod driven with 2 kg hammer, requires pick for excavation; 50 mm wooden peg hard to drive.	8 - 15
Very dense (VD)	Penetrated only 25 - 50 mm with 13 mm reinforcing rod driven with 2 kg hammer.	>15

COHESIVE - SILT & CLAY		
Consistency Description	Field Test	Indicative undrained shear strength kPa
Very soft	Easily penetrated >40 mm by thumb. Exudes between thumb and fingers when squeezed in hand.	<12
Soft	Easily penetrated 10 mm by thumb. Moulded by light finger pressure	>12 and <25
Firm	Impression by thumb with moderate effort. Moulded by strong finger pressure	>25 and <50
Stiff	Slight impression by thumb cannot be moulded with finger.	>50 and <100
Very Stiff	Very tough. Readily indented by thumbnail.	>100 and <200
Hard	Brittle. Indented with difficulty by thumbnail.	>200

1.3 USCS Material Descriptions

Soils for engineering purposes are the unconsolidated materials above bedrock, they can be residual, alluvial, colluvial or aeolian in origin.

Major Divisions	Particle size mm	USCS Group Symbol	Typical Names	Laboratory Classification						
				% < 0.075 mm (2)	Plasticity of fine fraction	$C_u = \frac{D_{60}}{D_{10}}$	$C_c = \frac{(D_{30})^2}{(D_{10})(D_{60})}$	NOTES		
COARSE GRAINED SOILS (more than half of material less than 63 mm is larger than 0.075 mm)	BOULDERS	200								
	COBBLES		63							
	GRAVELS (more than half of coarse fraction is larger than 2.36 mm)	coarse	GW	Well graded gravels and gravel-sand mixtures, little or no fines	0-5	—	>4	Between 1 and 3	(1) Identify fines by the method given for fine-grained soils. (2) Borderline classifications occur when the percentage of fines (fraction smaller than 0.075 mm size) is greater than 5% and less than 12%. Borderline classifications require the use of SP-SM, GW-GC.	
		medium	GP	Poorly graded gravels and gravel-sand mixtures, little or no fines, uniform gravels	0-5	—	Fails to comply with above			
		fine	GM	Silty gravels, gravel-sand-silt mixtures (1)	12-50	Below 'A' line or PI<4	—	—		
		fine	GC	Clayey gravels, gravel-sand-day mixtures (1)	12-50	Above 'A' line and PI>7	—	—		
	SANDS (more than half of coarse fraction is smaller than 2.36 mm)	coarse	SW	Well graded sands and gravelly sands, little or no fines	0-5	—	>6	Between 1 and 3		
		medium	SP	Poorly graded sands and gravelly sands, little or no fines	0-5	—	Fails to comply with above			
		fine	SM	Silty sands, sand silt mixtures (1)	12-50	Below 'A' line or PI<4	—	—		
		fine	SC	Clayey sands, sand-clay mixtures (1)	12-50	Above 'A' line and PI>7	—	—		
	FINE GRAINED SOILS (more than half of material less than 63 mm is smaller than 0.075 mm)	SILTS & CLAYS (Liquid Limit ≤50%)	ML	Inorganic silts, very fine sands, rock flour, silty or clayey fine sands or clayey silts with slight plasticity	Use the gradation curve of material passing 63 mm for classification of fractions according to the criteria given in 'Major Divisions' 					
			CL	Inorganic clays of low to medium plasticity, gravelly clays, sandy clays, silty clays, lean clays						
OL			Organic silts and clays of low plasticity							
SILTS & CLAYS (Liquid Limit >50%)		MH	Inorganic silts, micaceous or diatomaceous fine sands or silts, elastic silts							
		CH	Inorganic clays of high plasticity, fat clays							
		OH	Organic silts and clays of high plasticity							
HIGHLY ORGANIC SOILS		PT	Peat and other highly organic soils							

Grain size analysis is performed by two processes depending on particle size. Sand silt and clay particles are assessed using a standardised hydrometer test, and coarse sand and larger is assessed through sieving by USCS certified sieves. For more detail see the following section.

Soil Classification	Particle Size
Clay	Less than 0.002mm
Silt	0.002 – 0.06mm
Fine/Medium Sand	0.06 – 2.0mm
Coarse Sand	2.0mm – 4.75mm
Gravel	4.75mm – 60.00mm

1.4 Bearing Capacities and DCP testing.

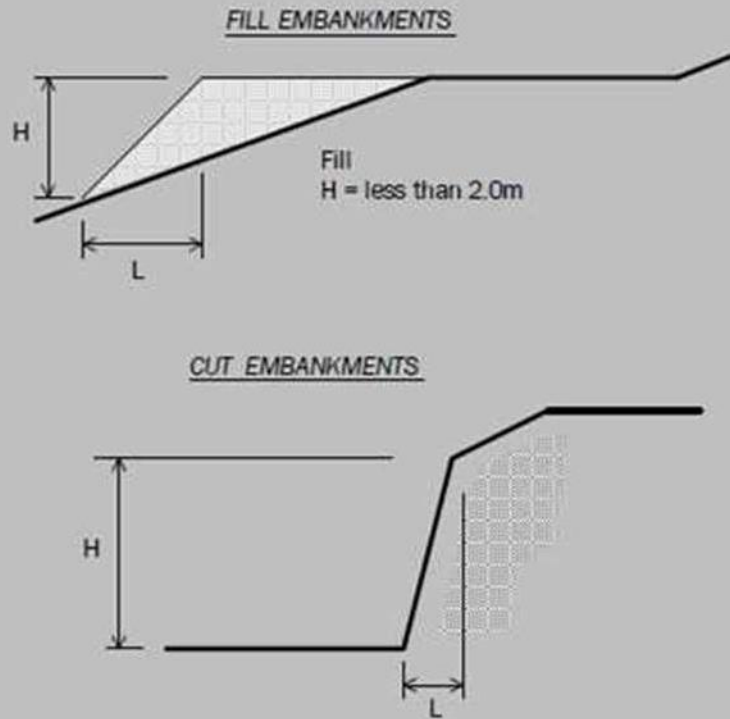
DCP and PSP weighted penetrometer tests – Dynamic Cone Penetrometer (DCP) and Perth Sand Penetrometer (PSP) tests are carried out by driving a rod into the ground with a falling weight hammer and measuring the blows for successive 100mm increments of penetration. Normally, there is a depth limitation of 1.2m but this may be extended in certain conditions by the use of extension rods. The methods for the two tests are quite similar.

- Dynamic Cone Penetrometer – a 16mm rod with a 20mm diameter cone end is driven with a 9kg hammer dropping 510mm (AS 1289, Test 6.3.2).
- Perth Sand Penetrometer – a 16mm diameter flat-ended rod is driven with a 9kg hammer, dropping 600mm (AS 1289 Test 6.3.3). This test was developed for testing the density of sands and is mainly used in granular soils and filling.

Site Anomalies – During construction GES will need to be notified of any major variation to the foundation conditions as predicted in this report.

1.5 Batter Angles for Embankments (Guide Only)

Note : Retaining walls or other form of soil retaining methods must be adopted where the slope ratio is greater than that indicated in the table below :-



MATERIAL TYPE (refer soils report)		EMBANKMENT SLOPES (Height : Length)	
		Compacted Fill	Cutting
Stable Rock (A*)		2 : 3	6 : 1
Sand (A*)		1 : 2	2 : 3
Silt (P*)		1 : 4	1 : 4
Clay	Firm Clay	1 : 2	1 : 1
	Soft Clay	Not Suitable	2 : 3
Soft Soils (P*)		Not Suitable	Not Suitable

Glossary of Terms

Bearing Capacity – Maximum bearing pressure that can be sustained by the foundation from the proposed footing system under service loads which should avoid failure or excessive settlement.

Clay – (Mineral particles less than 0.002mm in diameter). Fine grained cohesive soil with plastic properties when wet. Also includes sandy clays, silty clays, and gravelly clays.

Dynamic Cone Penetrometer (DCP) – Field equipment used to determine underlying soil strength and therefore bearing capacity (kPa) by measuring the penetration of the device into the soil after each hammer blow.

Dispersive soil – A soil that has the ability to pass rapidly into suspension in water.

Footing – Construction which transfers the load from the building to the foundation.

Foundation – Ground which supports the building

Landslip – Foundation condition on a sloping site where downhill foundation movement or failure is a design consideration.

Qualified Engineer – A professional engineer with academic qualifications in geotechnical or structural engineering who also has extensive experience in the design of the footing systems for houses or similar structures.

Reactive Site – Site consisting of clay soil which swells on wetting and shrinks on drying by an amount that can damage buildings on light strip footings or unstiffened slabs. Includes sites classified as S, M, H-1, H-2 & E in accordance with AS2870-2011.

Sand – (Mineral particles greater than 0.02mm in diameter). Granular non-cohesive, non-plastic soil that may contain fines including silt or clay up to 15%.

Services – Means all underground services to the site including but not limited to power, telephone, sewerage, water & storm water.

Silt – (Mineral particles 0.002 – 0.02mm in diameter). Fine grained non-cohesive soil, non-plastic when wet. Often confers a silky smoothness of field texture, regularly includes clay and sand to form clayey silts, sandy silts and gravelly silts.

Site – The site title, as denoted by address, lot number, or Certificate of Title (CT) number, or Property Identification Number (PID).

Surface Movement (Ys) – Design movement (mm) at the surface of a reactive site caused by moisture changes.

Disclaimer

This Report has been prepared in accordance with the scope of services between Geo-Environmental Solutions Pty. Ltd. (GES) and the Client. To the best of GES's knowledge, the information presented herein represents the client's requirements at the time of printing of the Report. However, the passage of time, manifestation of latent conditions or impacts of future events may result in findings differing from that discussed in this Report. In preparing this Report, GES has relied upon data, surveys, analyses, designs, plans and other information provided by the Client and other individuals and organisations referenced herein. Except as otherwise stated in this Report, GES has not verified the accuracy or completeness of such data, surveys, analyses, designs, plans and other information.

The scope of this study does not allow for the review of every possible geotechnical parameter or the soil conditions over the whole area of the site. Soil and rock samples collected from the investigation area are assumed to be representative of the areas from where they were collected and not indicative of the entire site. The conclusions discussed within this report are based on observations and/or testing at these investigation points.

This report does not purport to provide legal advice. Readers of the report should engage professional legal practitioners for this purpose as required.

No responsibility is accepted for use of any part of this report in any other context or for any other purpose by a third party.

Site Plan



Appendix 2 – Site Photos



CERTIFICATE OF QUALIFIED PERSON – ASSESSABLE ITEM

Section 321

Form **55**

To: Owner /Agent
 Address
 Suburb/postcode

Qualified person details:

Qualified person:
Address: Phone No:
 Fax No:
Licence No: Email address:

Qualifications and Insurance details: (description from Column 3 of the Director's Determination - Certificates by Qualified Persons for Assessable Items)

Speciality area of expertise: (description from Column 4 of the Director's Determination - Certificates by Qualified Persons for Assessable Items)

Details of work:

Address: Lot No:
 Certificate of title No:
The assessable item related to this certificate: (description of the assessable item being certified)
Assessable item includes –
- a material;
- a design
- a form of construction
- a document
- testing of a component, building system or plumbing system
- an inspection, or assessment, performed

Certificate details:

Certificate type: (description from Column 1 of Schedule 1 of the Director's Determination - Certificates by Qualified Persons for Assessable Items n)

This certificate is in relation to the above assessable item, at any stage, as part of - (tick one)

building work, plumbing work or plumbing installation or demolition work
or

a building, temporary structure or plumbing installation:

In issuing this certificate the following matters are relevant –

Documents:	The attached soil report for the address detailed above in 'details of work'
Relevant calculations:	Reference the above report.
References:	AS2870:2011 residential slabs and footings AS1726:2017 Geotechnical site investigations CSIRO Building technology file – 18.

Substance of Certificate: (what it is that is being certified)

Site Classification consistent with AS2870-2011.

Scope and/or Limitations

The classification applies to the site as inspected and does not account for future alteration to foundation conditions as a result of earth works, drainage condition changes or variations in site maintenance.

I, John-Paul Cumming certify the matters described in this certificate.

Qualified person:

Signed:

Certificate No:

Date:

J12438

04/12/2025



A handwritten signature in black ink, appearing to read 'John Paul Cumming', written over a light grey background.